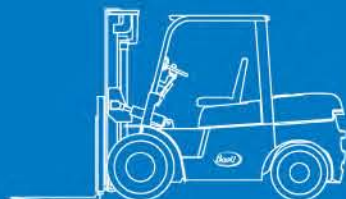


*Baoli*

## Lifting the World

KION BAOLI-a member of KION Group



### KION BAOLI FORKLIFT

No.8 Xinzhou Road • Economic Development Zone Jingjiang 214500 • Jiangsu • China

T +86 523 84616148

F +86 523 84616126

[www.baoli-mh.com](http://www.baoli-mh.com)



## ABOUT KION BAOLI

KION Baoli – develops, manufactures, distributes and services forklift trucks. As the fourth brand within the KION Group, Baoli focuses on the economy segment worldwide.

Since 2010 the former Baoli company has been fully integrated and managed by the KION GROUP.

KION Baoli's production facilities are located in Jingjiang (near Shanghai)

KION BAOLI' s modern product range includes a complete range of electric and IC trucks.

## ABOUT OUR GROUP

KION Group / Leadership, Innovation, Performance

With roughly 20,000 employees, and with branches around the world, the KION Group is the European market leader in material handling solutions and is one of the sector' s two largest internationally active companies.

The KION Group is at the forefront of its industry when it comes to quality, innovative power and profit success.

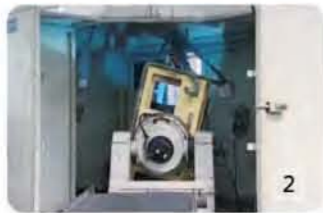
For details please visit [www.kiongroup.com](http://www.kiongroup.com).

## THE VISION OF KION BAOLI

To be the leading brand within the economic forklift segment, combining the competitive advantages of KION operational excellence and Baoli' s integrated platform.

We provide simple and practical products, as well as standardized service to the global market.





**MODERN FACILITIES TO ENSURE A HIGH STANDARD OF QUALITY**

- 1. Plasma cutting
- 2. Robot welding
- 3. Assemble plant
- 4. Test Ground



**QUALITY GATE**

Quality Gate control the key quality points, completely feedback any defect, ensure high quality and stability.



**QUALITY CONTROL DETAILS**

- 1. Check the joints leak of hydraulic system with fluorescent fluid, quickly identify small leakage.
- 2. Use torque wrench tools to tighten the screw, check with ID tracking,

3&4. 5S management, The basis of quality and efficiency.



KION BAOLI is an international company, we provide local contact and support. Regional service and parts center will be available in the near future.



KION BAOLI has a consolidated spare parts operation and delivery system, which is efficient, accurate and fast. We are always improving our system for your satisfaction.



KION BAOLI offers a wide range of models and options, Our trucks are in conformity with the international regulations, including CE. Benefit from the technology transfer from KION GROUP, we will launch innovative warehouse and electric models with KION BAOLI DNA.





# Standard Internal Combustion (1.5-10T)

# F-series ICCB(1.5T-3.5T Diesel/Gasoline/LPG)



Integrated overhead guard and rain cover offering outstanding protection and visibility.



Baoli works with all the major famous engine brands, a wide range for your selection.



Dual air-filter  
Dual filters, double protection. The engine life is extended and maintenance cost is lowered.



Baoli Forklift is manufactured according to euro3 standard for both emission and noise.



Through reducing the height of the instrument, changing the location of the display and the shape of the drainage channels, it ensures a wide vision.



Hydraulic buffering system offering controlled lowering of loads and minimizing the risk of damage.



The integration of control box makes the electrical system reliable and diagnose simpler.



Vibration-reduction technology is widely adopted including steering axle, which makes the operation more comfortable.



Noise insulation is adapted to engine and engine cover.



The opening angle of engine cover is greatly extended, that means more convenience when maintenance.



Protective Griller  
To avoid potential damage and risk



Lamp bracket in new style.



Foot operated park brake offering easy and safe engagement.



A comfortable driving environment for the operators.



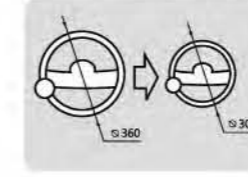
The diameter is reduced from 360MM to 300MM, to minimize the tiredness and maximize the efficiency.



Counter weight and cooling fan is re-designed to maximize the cooling effect.



The digital instrument is high reliable, accurate and good recognition.



This multi-function lights switch can get re-located automatically.



Large handrail can help operators get on or off expediently.



Electric direction change lever, conveniently and ergonomically placed for effortless forward and reverse selection.



Enhance the operational safety greatly.



Modular Plastic cover for a easier maintenance.



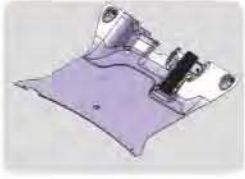
Aluminum radiator with tube lines greatly improves the cooling effect. If compared with traditional forklifts, the water temperature is reduced by 6-8°C.



The internal lock of engine cover can ensure the safety capability of forklift.



In order to facilitate the daily maintenance, the pedal is divided into two pieces.





### Three-Wheel ECB (AC motor) ( 1.5-1.8T )



Oil bath multi plate disk brakes provide excellent stopping power and require minimum maintenance.



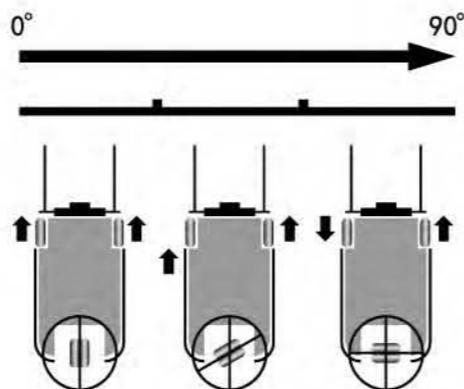
Imported SME Full-AC motor and controller from Italy and ZF Gearbox from Germany which provide world class quality and outstanding performance characteristics.



Power steering with adjustment providing the operator with improved comfort and access.



Smaller steering wheel for a smaller radius 90° turning angle is designed for maximum agility.



### Four-wheel ECB (AC motor)(1.5- 3.0T)



Italian SME Full-AC motor and controller allowing speeds to be adjusted to match customer and site requirements.



Regenerative braking recharges the battery when braking extending operating time between charging.



Italian SME high-definition display motors and reports the trucks vital performance information providing the operator with up to date data.



Safe and comfortable



A proper mechanism to ensure a quick&effortless operation.



A sensor automatically adjusts the turning speed for improved safety and stability.



Foot operated park brake offering easy and safe engagement.



Shock absorbing steer axle mounting, providing improved operator comfort and steering control.



Cooling efficient utilization, extending lifetime.



**Internal Combustion Forklift Trucks**



1.0/1.5/1.8t



2.0/2.5/3.0/3.5t



4.0/4.5/5.0t



F-series 1.5-3.5t



LPG

**Electric Forklift Trucks(DC Motor)**



1.0/1.5t



2.0/3.0t

**Three-Wheel ECB(AC Motor)**



1.5/1.8t

**Four-Wheel ECB(AC Motor)**



1.5-3.0t

**Internal Combustion Forklift Trucks(Heavy Duty)**



5.0/6.0/7.0t



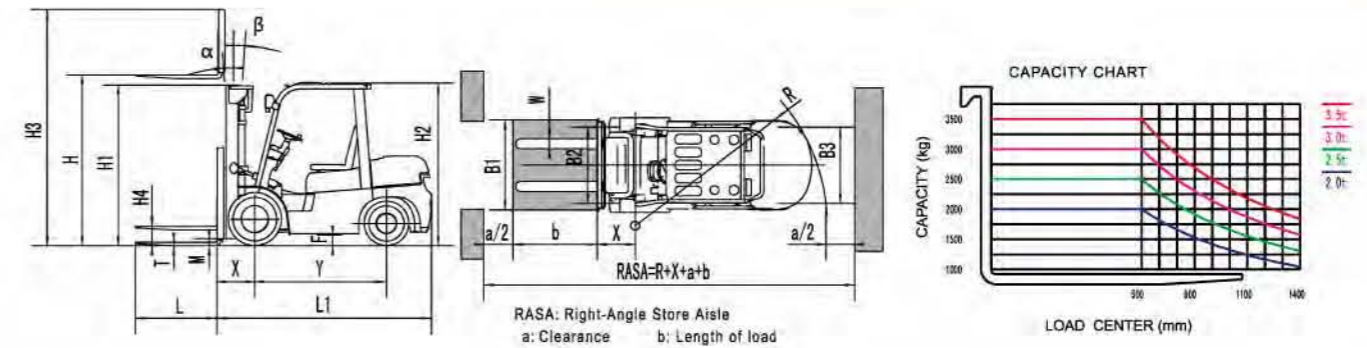
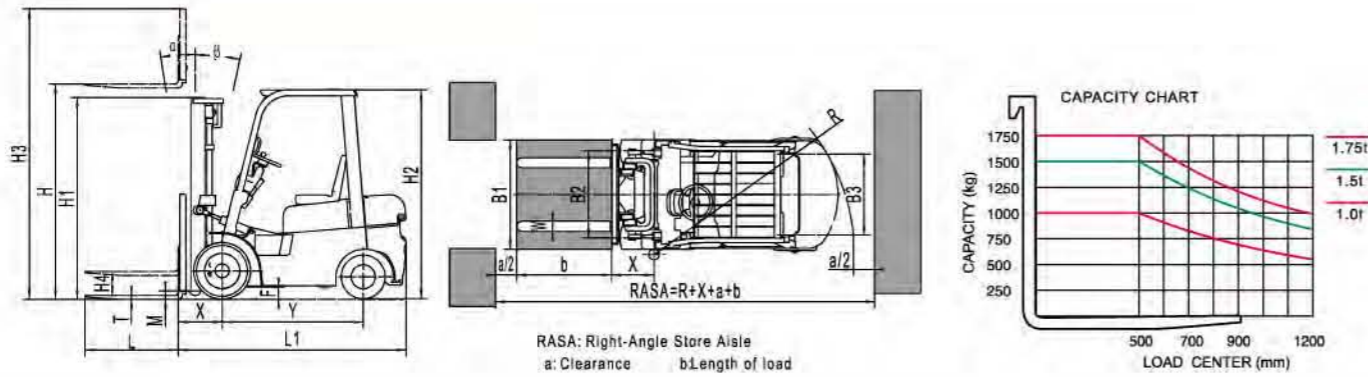
8.0/9.0/10.0t

**Latest Release**



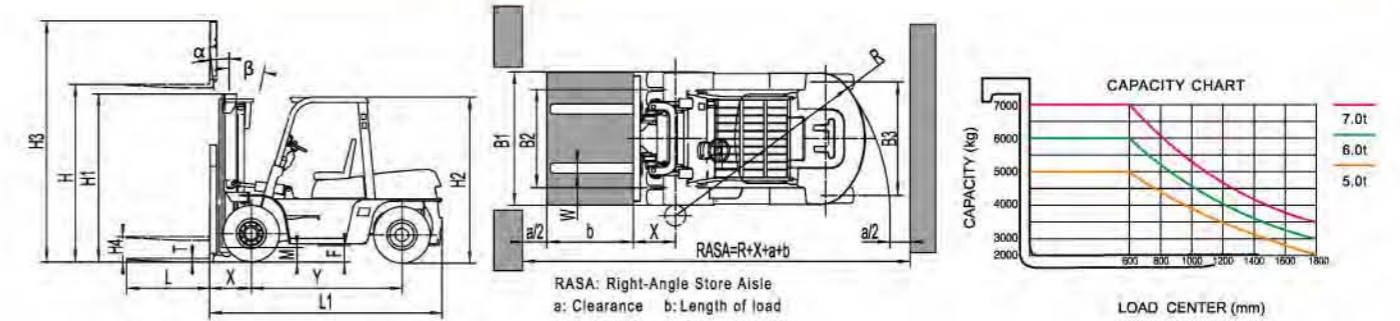
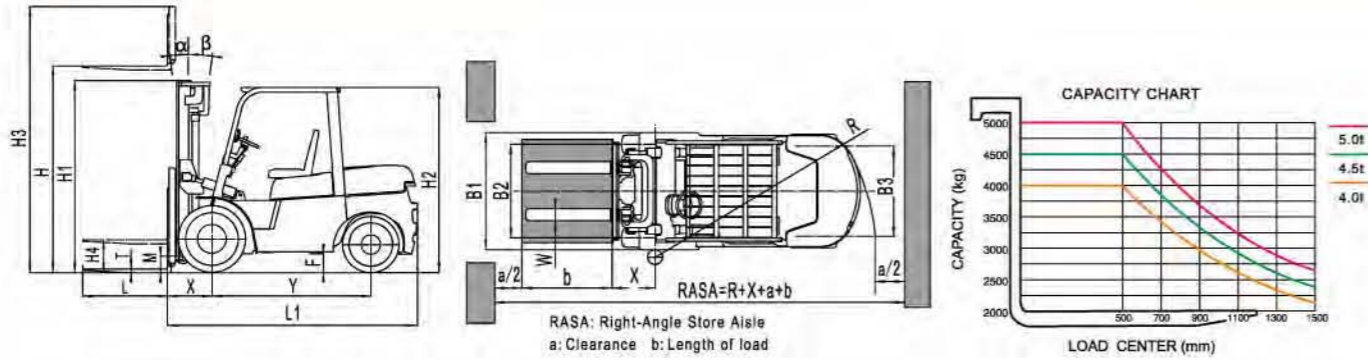
2011 F-series

**New warehouse and electric models are coming soon... Please contact KION Baoli for more information**



General	Manufacturer		KION Baoli				
	Model		CPC(D)10 CP <sub>Y</sub> (D)10	CPC(D)15 CP <sub>Y</sub> (D)15	CPC(D)18 CP <sub>Y</sub> (D)18		
	Power type		Diesel/ Gasoline/ LPG				
	Rated capacity		kg	1000	1500	1750	
	Load center		mm	500			
Dimension	Lift height		H	mm			
	Free lift height		H4	mm			
	Fork size		L×W×T	mm			
	Mast tilt angle		α/β	deg			
	Front overhang		X	mm			
	Overall dimension	Length to fork face		L1	2180	2235	2270
		Overall width		B1	1080		
		Mast lowered height		H1	1995		
		Mast extended height		H3	4042		
		Overhead guard height		H2	2075		
Turning radius		R	1890	1960	2000		
Performance	Travel speed (full load/no load)		Mechanical	Hydraulic		13.5/14.5	
				I档 Shift I		5.5/6	
			II档 Shift II		13.5/14		
	Lift speed (full load/no load)				mm/sec	450/510	
Max. grade ability				%	20		
Service weight				kg	2340	2740	2943
Chassis	Tyre		Front		6.50-10-10PR		
			Rear		5.00-8-8PR	5.00-8-10PR	
	Tread		Front		B2	890	
			Rear		B3	920	
	Wheelbase		Y		1400		
Ground clearance (full load/no load)		Mast		M	95/110	85/110	
		Frame		F	105/115		
Engine	Type		Diesel engine		Gasoline engine		
	Model		NB485BPG		ISUZU C240PKJ		MITSUBISHI 4G64
	Rated output (kw/rpm)		30/2600		34.5/2500		37/2500
	Rated torque (N.m/rpm)		131/1800		139/1800		161/1600
	No. of cylinder		4		4		4
	Bore×stroke (mm)		85×100		86×102		86.5×100
	Displacement (L)		2.27		2.369		2.350
	Truck model		CPC(D)10/15/18-X		CPC(D)10/15/18-W		CP <sub>Y</sub> (D)10/15/18-H1

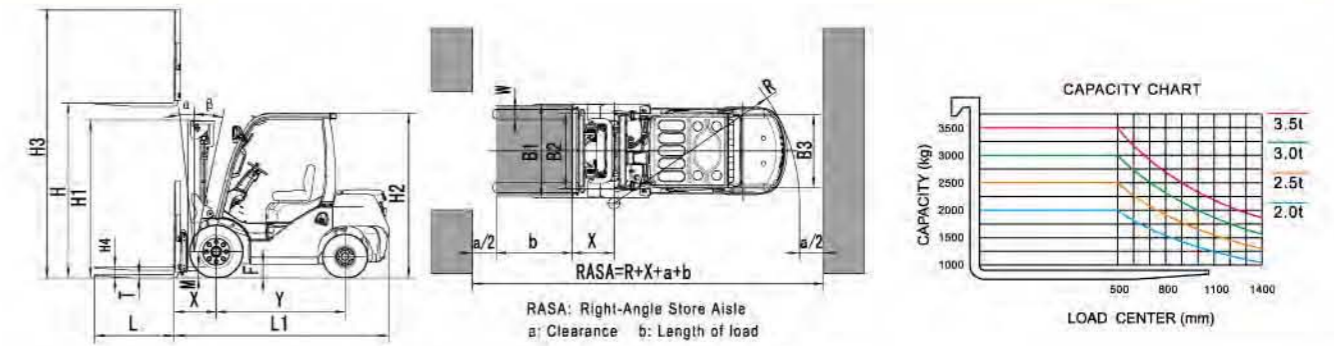
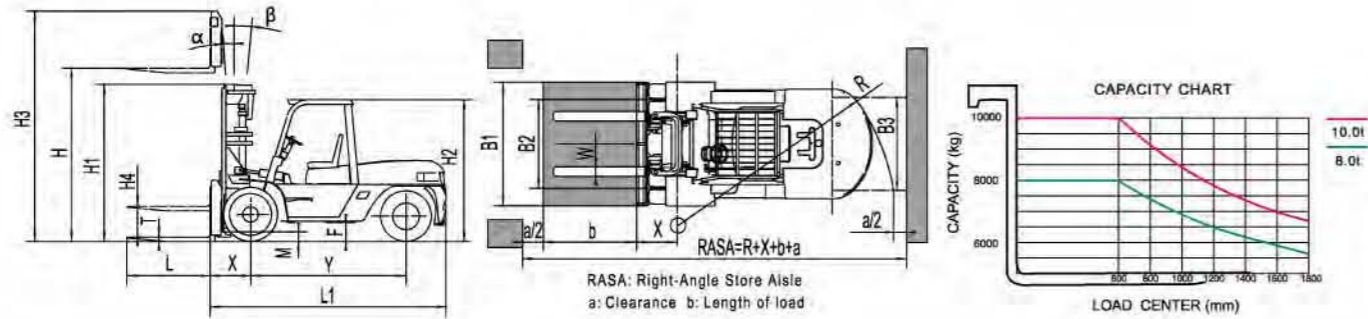
General	Manufacturer		KION Baoli					
	Model		CPC(D)20 CPQ(Y)D20	CPC(D)25 CPQ(Y)D25	CPC(D)30 CPQ(Y)D30	CPC(D)35 CPQ(Y)D35		
	Power type		Diesel / Gasoline/ LPG					
	Rated capacity		kg	2000	2500	3000	3500	
	Load center		mm	500				
Dimension	Lift height		H	mm				
	Free lift height		H4	140		145		
	Fork size		L×W×T	1070×120×40	1070×120×45	1070×125×45	1070×130×45	
	Mast tilt angle		α/β	deg				
	Front overhang		X	484	489	494	500	
	Overall dimension	Length to fork face		L1	2510	2580	2720	2775
		Overall width		B1	1150		1225	
		Mast lowered height		H1	2050		2080	
		Mast extended height		H3	4040		4272	
		Overhead guard height		H2	2060		2090	
Turning radius		R	2170	2240	2460	2540		
Performance	Travel speed (full load/no load)		Mechanical	Hydraulic		17/19		
				Shift I		8.5/9		
			Shift II		18.5/19			
	Lift speed with load				mm/sec	470	430	400
Max. grade ability				%	20			
Service weight				kg	3550	3880	4380	4750
Chassis	Tyre		Front		7.00-12-12PR		28×9-12-12PR	28×9-15-14PR
			Rear		6.00-9-10PR		6.50-10-10PR	
	Tread		Front		B2	970	1000	
			Rear		B3	970	970	
	Wheelbase		Y		1650		1700	
Ground clearance (full load/no load)		Mast		M	85/105	110/135		
		Frame		F	115/120	135/140		
Engine	Type		Diesel engine			Gasoline engine		
	Model		490BPG	495BPG	498BPG	ISUZU C240PKJ	Yanmar 4TNE98	Mitsubishi 4G64-31ZG
	Rated output (kw/rpm)		37/2650	42/2650	45/2500	34.5/2500	44.3/2300	37/2500
	Rated torque (N.m/rpm)		148/1900	174/1800	191/1600	139/1800	206/1700	161/1600
	No. of cylinder		4	4	4	4	4	4
	Bore×stroke (mm)		90×100	98×105	98×105	86×102	98×110	86.5×100
	Displacement (L)		2.54	2.98	3.168	2.369	3.319	2.350
	Truck model		CPC(D) 20/25/30-X1	CPC(D) 30/35-X2	CPC(D) 30/35-X3	CPC(D) 20/25/30-W1	CPC(D) 30/35-Y2	CPQ(Y)D 20/25/30-H1



General	Manufacturer		KION Baoli				
	Model		CPCD40	CPCD45	CPCD50		
	Power type		Diesel				
Dimension	Rated capacity		kg	4000	4500	5000	
	Load center		mm	500			
	Lift height		H mm	3000			
	Free lift height		H4 mm	150	155		
	Fork size		L×W×T mm	1070×140×50	1070×140×55	1070×150×55	
	Fork outside spread		Min./Max. mm	280/1380			
	Mast tilt angle		α/β deg	6/12			
	Front overhang		X mm	562	567		
	Overall dimension	Length to fork face		L1 mm	3091	3091	3125
		Overall width		B1 mm	1485		
Mast lowered height		H1 mm	2390				
Mast extended height		H3 mm	4275				
Overhead guard height		H2 mm	2250				
Turning radius		R mm	2790		2830		
Performance	no load/ full load	Travel speed	Forward I	15/14			
			Forward II	22/20			
			Backward I	15/14			
	Lift speed		mm/sec	480/450		480/430	
Max. gradeability			≥20%				
Max. drawbar pull		KN	>21				
Service weight		kg	6450	6770	7050		
Chassis	Tyre	Front	300-15-18PR				
		Rear	7.00-12-12PR				
	Tread	Front	B2 mm	1180			
		Rear	B3 mm	1190			
	Wheelbase		Y mm	2000			
	Min. ground clearance (no load/full load)		Mast	M mm	175/145		
			Frame	F mm	190/180		
Battery		V/AH	2-12V/80AH				
Engine	Type		Diesel engine				
	Model		Mitsubishi S6S	R4105G25			
	Rated output( kw/rpm)		55.3/2450	59/2300			
	Rated torque (N.m/rpm)		250/1600	270/1600			
	No. of cylinder		6	4			
	Bore×stroke (mm)		94×120	105×120			
	Displacement (L)		4.996	4.156			
	Truck model		CPCD40/45/50-LM	CPCD40/45/50-LF			

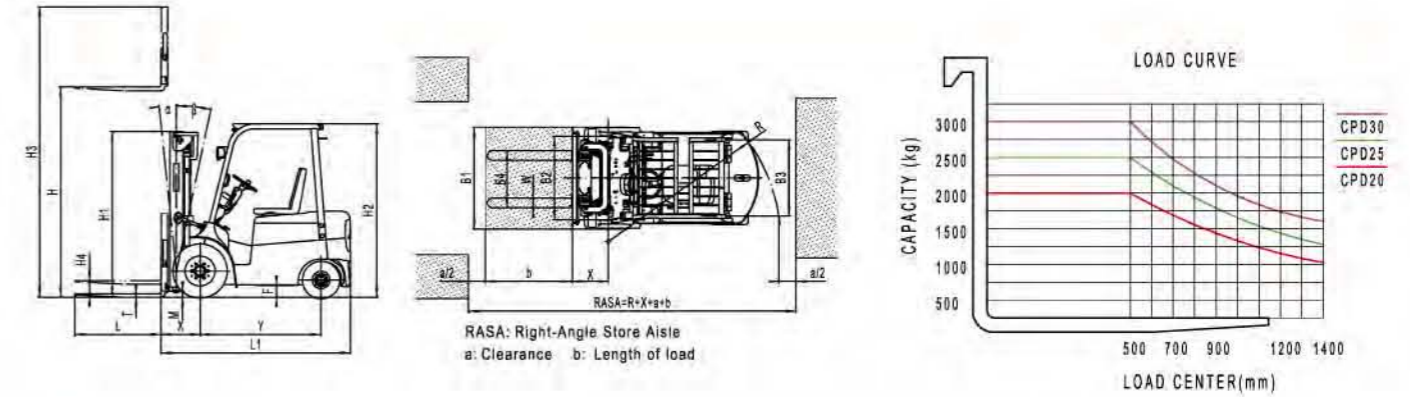
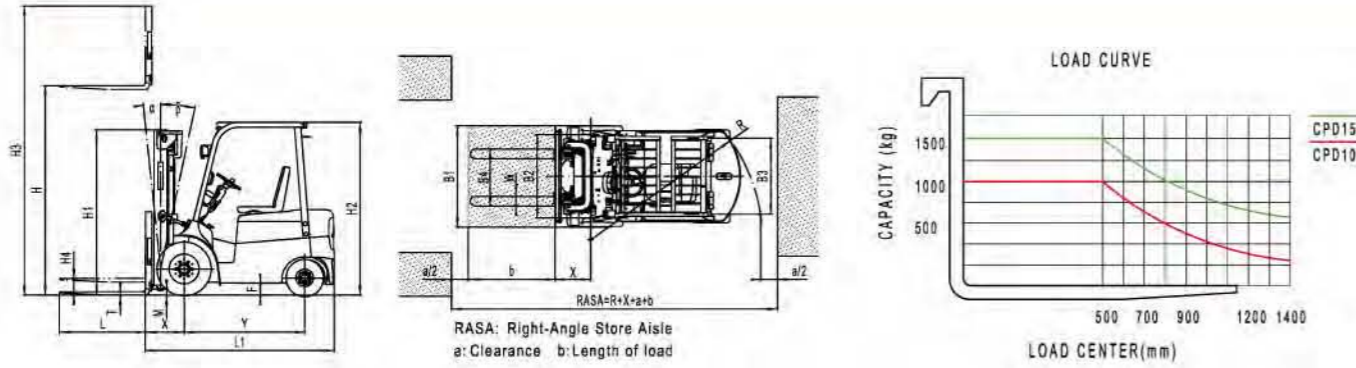
General	Manufacturer		KION Baoli				
	Model		CPCD50	CPCD60	CPCD70		
	Power type		Diesel				
Dimension	Rated capacity		kg	5000	6000	7000	
	Load center		mm	600			
	Lift height		H mm	3000			
	Free lift height		H4 mm	205	210	215	
	Fork size		L×W×T mm	1200×150×55	1200×150×60	1200×150×65	
	Fork outside spread		Min./Max. mm	300/1700			
	Mast tilt angle		α/β deg	6/12			
	Front overhang		X mm	622	627	632	
	Overall dimension	Length to fork face		L1 mm	3472	3592	
		Overall width		B1 mm	1995		
Mast lowered height		H1 mm	2500				
Mast extended height		H3 mm	4429				
Overhead guard height		H2 mm	2420				
Turning radius		R mm	3300	3450			
Performance	no load/ full load	Travel speed	km/h	28/26			
		Lift speed	mm/sec	550/370	500/330	500/320	
	Max. gradeability			≥20%			
	Max. drawbar pull		KN	>21			
Service weight		kg	8000	8640	9350		
Chassis	Tyre	Front	8.25-15-14PR				
		Rear	8.25-15-14PR				
	Tread	Front	B2 mm	1470			
		Rear	B3 mm	1700			
	Wheelbase		Y mm	2250			
Min. ground clearance (no load/full load)		Mast	M mm	200/160			
		Frame	F mm	230/190			
Transmissions		Type	Hydraulic				
		Shift	FWD/BWD				
Battery		V/AH	2-12V/80AH				
Drive units & control	Type		Diesel engine				
	Model		Mitsubishi S6S-T	Zhaocai 6102BG6			
	Rated output( kw/rpm)		63.9/2300	81/2500			
	Rated torque (N.m/rpm)		299/1600	353/1600			
	No. of cylinder		6	6			
	Bore×stroke (mm)		94×120	102×118			
	Displacement (L)		4.996	5.785			
	Truck model		CPCD50/60/70-M	CPCD50/60/70-C			





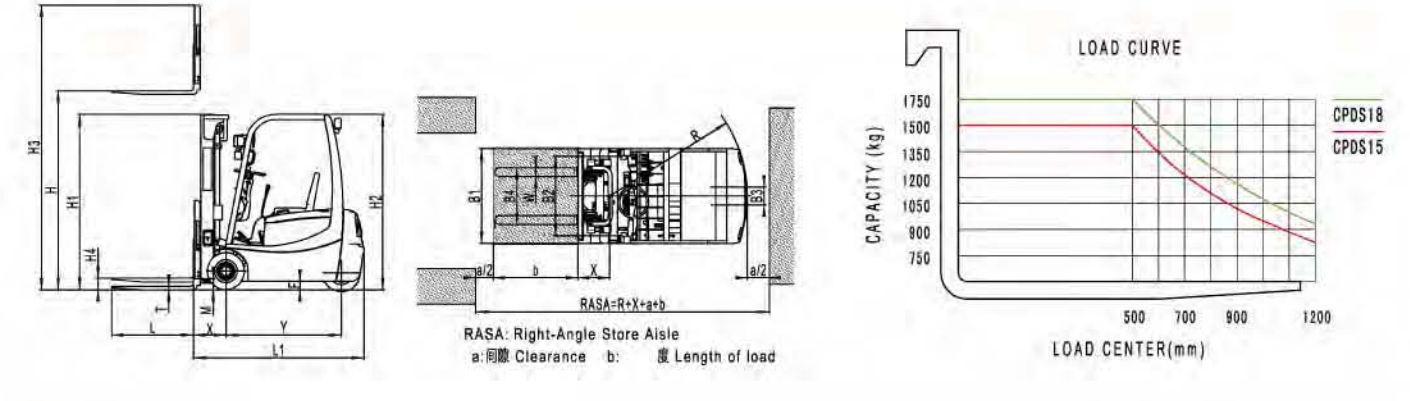
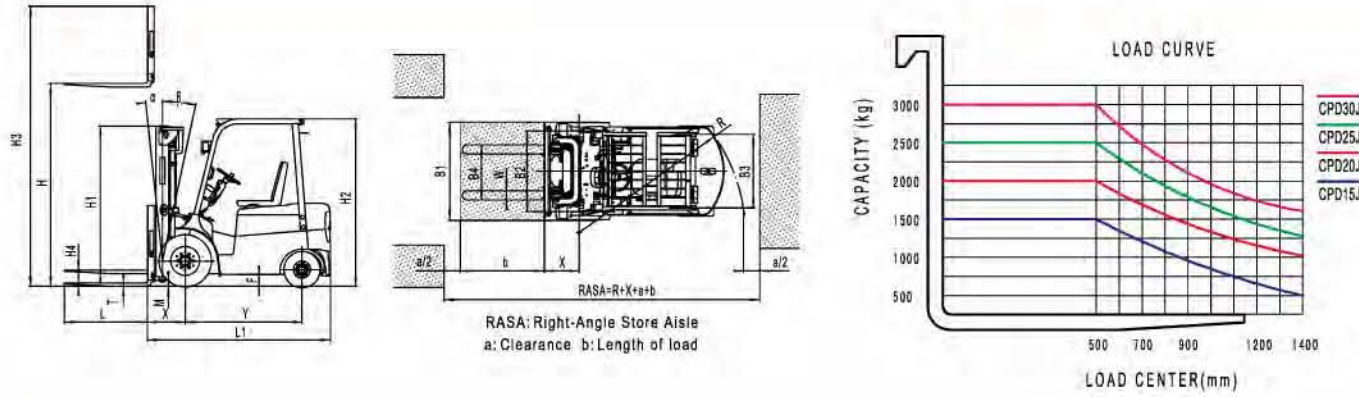
General	Manufacturer		KION Baoli				
	Model		CPCD80-C	CPCD80-W	CPCD100-C	CPCD100-W	
	Power type		Diesel				
	Rated capacity		8000		10000		
Dimension	Load center		600				
	Lift height		3000				
	Free lift height		205		210		
	Fork size		1500×160×75		1500×160×80		
	Fork outside spread		320 / 2015		420 / 2144		
	Mast tilt angle		6 / 12				
	Front overhang		700		733		
	Overall dimension	Length to fork face		3940		4258	
		Overall width		2245			
		Mast lowered height		2695		2845	
Mast extended height		4445		4307			
Overhead guard height		2565					
Turning radius		3700		3900			
Performance	no load/full load		28 / 24				
	Travel speed		28 / 22				
	Lift speed		480 / 350		410 / 350		
	Max. gradeability		20				
Service weight		11080		12860			
Chassis	Tyre		9.00-20-14PR				
	Tread		1600		1700		
	Wheelbase		2500		2800		
	Min. ground clearance (no load/full load)		245 / 205				
	Mast		343 / 323				
	Frame						
Drive units & control	Battery		2×12 / 100				
	Model		Zhaocai 6102-BG	Perkins 1104D-44TA	Zhaocai 6102-BG	Perkins 1104D-44TA	
	Rated output		81 / 2500		83/2200		
	Rated torque		353 / 1650		418/1400		
	No. of cylinder		6		4		
	Bore×stroke		102×118		105x127		
	Displacement		5.785		4.4		
	Fuel tank capacity		140		140		
	Type		Hydraulic				
	Shift		FWD/BWD				

General	Manufacturer		KION Baoli				
	Model		CPCD20F CPQ(Y)D20F	CPCD25F CPQ(Y)D25F	CPCD30F CPQ(Y)D30F	CPCD35F CPQ(Y)D35F	
	Power type		Diesel / Gasoline/ LPG				
	Rated capacity		2000		2500		
Dimension	Load center		500				
	Lift height		3000				
	Free lift height		140		145		
	Fork size		1070×120×40		1070×120×45		
	Mast tilt angle		6/11				
	Front overhang		484		494		
	Overall dimension	Length to fork face		2564		2634	
		Overall width		1150		1236	
		Mast lowered height		2050		2080	
		Mast extended height		4040		4273	
Overhead guard height		2150		2180			
Turning radius		2220		2490			
Performance	Travel speed (full load/no load)		17/19		18/ 19		
	Lift speed (full load/no load)		470		430		
	Max. grade ability		20				
	Service weight		3510		4620		
Chassis	Tyre		7.00-12-12PR		7.00-12-12PR		
	Tread		970		1000		
	Wheelbase		1650		1760		
	Ground clearance (full load/no load)		85/105		110 / 135		
Engine	Type		Diesel engine		Gasoline engine		
	Model		ISUZU C240PKJ		Yanmar 4TNE98		
	Rated output (kw/rpm)		34.5/2500		44.3/2300		
	Rated torque(N.m/rpm)		139/1800		206/1700		
	No. of cylinder		4		4		
	Bore × stroke (mm)		86 × 102		89 × 83		
	(L) Displacement		2.369		2.065		
	Truck model		CPCD 20/25/30F-W1		CPCD 30/35F-Y2		
			CPQ(Y)D 20/25F-H2		CPQ(Y)D 20/25/30/35F-H3		



General	Manufacturer		KION Baoli			
	Model		CPD10	CPD15		
	Power type		Battery			
	Rated capacity		kg	1000	1500	
Load center		mm	500			
Dimension	Lift height		H	mm	3000	
	Free lift height		H4	mm	162	
	Fork size		L x W x T	mm	920 x 100 x 40	
	Fork outside spread (Min./Max.)		mm	200/968		
	Mast tilt angle (forward/backward)		$\alpha / \beta$	deg	6/12	
	Overall dimension	Length to fork face		L1	mm	2056
		Overall width		B1	mm	1090
		Mast lowered height		H1	mm	1995
		Mast extended height		H3	mm	4042
	Overhead guard height		H2	mm	2162	
	Turning radius		R	mm	1820	
Front overhang		X	mm	429		
Min. right angle stacking aisle width		RASA	mm	3370		
Performance	Full load / no load	Travel speed		km/h	11.5/13.5	11/13
		Lifting speed		mm/sec	300/400	285/390
	Max. grade ability		%	15		
	Service weight		kg	2900	3120	
Max. pull force(full load)		KN	6	6.5		
Chassis	Tyre	Front		6.50-10-10PR		
		Rear		5.00-8-8PR		
	Tread	Front	B2	mm	890	
		Rear	B3	mm	920	
	Wheelbase		Y	mm	1250	
Ground clearance(full load/no load)		Mast	M	mm	95/110	
		Frame	F	mm	95/105	
Power & Control	Battery	Voltage		V	48	
		Capacity		Ah	*400/440/480	
	Motor	Drive motor		KW/rpm	5.3/1700	
		Hydraulic motor		KW/rpm	8.2/1600	
	Controller		GE separate excitation controller			

General	Manufacturer		KION Baoli					
	Model		CPD20	CPD25	CPD30			
	Power type		Battery					
	Rated capacity		kg	2000	2500	3000		
Load center		mm	500	500	500			
Dimension	Lift height		H	mm	3000	3000	3000	
	Free lift height		H4	mm	140	140	145	
	Fork size		L x W x T	mm	1070 x 120 x 40	1070 x 120 x 45	1070 x 125 x 45	
	Fork outside spread (Min./Max.)		B4	mm	240/1040	240/1040	250/1100	
	Mast tilt angle (forward/backward)		$\alpha / \beta$	deg	6/12	6/12	6/10	
	Overall dimension	Length to fork face		L1	mm	2349	2381	2481
		Overall width		B1	mm	1152	1152	1265
		Mast lowered height		H1	mm	2060	2060	2040
		Mast extended height		H3	mm	4040	4040	4273
	Overhead guard height		H2	mm	2159	2159	2125	
	Turning radius		R	mm	2050	2100	2230	
Front overhang		X	mm	479	484	454		
Min. right angle stacking aisle width		RASA	mm	3715	3755	3915		
Performance	Full load / no load	Travel speed		km/h	11/12.5	10.5/12.5	12/13	
		Lifting speed		mm/sec	260/400	250/390	250/380	
	Max. grade ability		%	10	10	10		
	Service weight		kg	4160	4360	4850		
Max. pull force(full load)		KN	8	8	10			
Chassis	Tyre	Front		7.00-12-12PR	7.00-12-12PR	23X9-10		
		Rear		18 x 7-8-14PR	18 x 7-8-14PR	18 x 7-8		
	Tread	Front	B2	mm	960	960	1040	
		Rear	B3	mm	950	950	980	
	Wheelbase		Y	mm	1500	1500	1630	
Ground clearance(full load/no load)		Mast	M	mm	100/120	100/120		
		Frame	F	mm	100/120	100/120		
Power & Control	Battery	Voltage		V	48	48		
		Capacity		Ah	*630/700	*630/700	*500/600	
	Motor	Drive motor		KW/rpm	7.0/1400	7.0/1400	10.2/1500	
		Hydraulic motor		KW/rpm	8.6/1600	8.6/1600	10/2000	
	Controller		GE separate excitation controller					



General	Manufacturer		KION Baoli						
	Model		CPD15J	CPD20J	CPD25J	CPD30J			
	Power type		Battery						
	Rated capacity		kg	1500	2000	2500	3000		
Load center		mm	500	500	500	500			
Dimension	Lift height		H	mm	3000	3000	3000	3000	
	Free lift height		H4	mm	162	140	140	145	
	Fork size		L x W x T	mm	920×100×40	1070×120×40	1070×120×45	1070×125×45	
	Fork outside spread (Min./Max.)		B4	mm	200/968	240/1040	240/1040	25/1100	
	Mast tilt angle (forward/backward)		α/β	deg	6/12	6/10	6/10	6/10	
	Overall dimension	Length to fork face		L1	mm	2056	2349	2381	2481
		Overall width		B1	mm	1090	1265	1265	1265
		Mast lowered height		H1	mm	1995	2040	2040	2040
		Mast extended height		H3	mm	4042	4240	4240	4273
	Overhead guard height		H2	mm	2162	2125	2125	2125	
Turning radius		R	mm	1820	2050	2100	2230		
Front overhang		X	mm	429	459	464	454		
Min. right angle stacking aisle width		RASA	mm	3370	3715	3755	3915		
Performance	Full load / no load	Travel speed		km/h	13/15	12/14	12/14	12/14.5	
		Lifting speed		mm/sec	300/400	310/420	300/420	280/420	
	Max. grade ability		%	15	10	10	10		
	Service weight		kg	3120	4160	4360	4850		
Max. pull force(full load)		KN	6.5	8	8	10			
Chassis	Tyre	Front			6.50-10-10PR	23X9-10-16PR	23X9-10-16PR	23X9-10	
		Rear			5.00-8-8PR	18×7-8-14PR	18×7-8-14PR	18×7-8	
	Tread	Front		B2	mm	890	1040	1040	1040
		Rear		B3	mm	920	950	950	980
	Wheelbase		Y	mm	1250	1500	1500	1630	
	Ground clearance(full load/no load)		Mast		M	mm	95/110	85/105	85/105
Frame			F	mm	95/105	120/140	120/140	120/140	
Power & Control	Battery	Voltage		V	48	48	48	80	
		Capacity		Ah	*400/440/480	*630/700	*630/700	*500/600	
	Motor	Drive motor		KW/rpm	8/1600	8/1300	8/1300	13/1500	
		Hydraulic motor		KW/rpm	10/2450	15/2200	15/2200	22/2100	
Controller		Italian SME AC controller							

General	Manufacturer		KION Baoli				
	Model		kg	CPDS15	CPDS18		
	Rated capacity		mm	1500	1750		
	Load center			500			
Power type		Battery					
Tyre		Super elastic solid tyre					
No. of tyre(front/rear)		2/2					
Dimension	Lift height		H	mm	3000	3000	
	Free lift height		H4	mm	130	130	
	Fork size		L x W x T	mm	920×100×40		
	Mast tilt angle (forward/backward)		α/β	deg	5/7		
	Overall dimension	Length to fork face		L1	mm	1860	1910
		Overall width		B1	mm	1070	
		Mast lowered height		H1	mm	1980	
		Mast extended height		H3	mm	3945	
	Overhead guard height		H2	mm	1990		
	Turning radius		R	mm	1500		
Front overhang		X	mm	360			
Min. right angle stacking aisle width (pallet 800×1200,1000×1200)		RASA	mm	2860/3060	2910/3110		
Performance	Full load / no load	Travel speed		km/h	14/15.5	13.5/15	
		Lifting speed		mm/sec	300/470		
	Grade ability(full load)		%	20			
	Service weight (including battery)		kg	3100	3260		
Max. pulling force		KN	14.5	13			
Chassis	Tyre	Front		18×7-8PR			
		Rear		16×6-8PR			
	Tread	Front		B2	mm	895	
		Rear		B3	mm	205	
Wheelbase		Y	mm	1295			
Ground clearance(full load/no load)		Mast		M	mm	80/85	75/85
		Frame		F	mm	100/110	
Power & Control	Battery	Type		Lead-acid battery			
		Voltage		V	48		
		Capacity		Ah	505		
	Motor	Drive motor		KW/rpm	2×6.5/1500		
Hydraulic motor		KW/rpm	12/2200				
Controller		Italian SME AC controller					

MODEL	DUPLEX STANDARD MAST(MAX HEIGHT in MM)												DUPLEX FULL FREE MAST						TRIPLEX FULL FREE MAST					
	NAME	TYPE	VM 2500	VM 2700	VM 3000	VM 3300	VM 3500	VM 4000	VM 4500	VM 5000	VM 5500	VM 5500	VFM 3920	VFM 4000	VFM 4350	VFM 4500	VFM 4700	VFM 4800	VFM 5000	VFM 5400	VFM 5500	VFM 6000		
CPDS 15-18	1.5-1.8t Three-Wheel FCB (AC motor)																							
CPD15	DC 1.0-1.5t																							
CPD15J	AC 1.0-1.5t																							
CPD20-30	DC 2.0-3.0t																							
CPDJ20-30	AC 2.0-3.0t																							
CPCD15-18 CPQD15-18	1.5-1.8T ICCB																							
CPCD20-25 CPQD20-25	2.0-2.5T ICCB																							
CPCD30-35 CPQD30-35	3.0-3.5T ICCB																							
CPCD40	4T ICCB																							
CPCD 50-70	5.0-7.0T ICCB																							
CPCD 80-100	8.0-10.0T ICCB																							

Mast type	Max. Height	Rated capacity						Height		Free-lift		Mast angle
		Load center 500mm						Retracted height	Max height with carriage	Without carriage	With carriage	
		1T	Double tyres	1.5T	Double tyres	1.8T	Double tyres					Front/back
Standard wide-view	2500	1000		1500		1750		1745	3542	162	162	6/12
	2700	1000		1500		1750		1845	3742	162	162	
	3000	1000		1500		1750		1995	4042	162	162	
	3300	1000		1500		1750		2145	4342	162	162	
	3500	1000		1500		1750		2245	4542	162	162	
	4000	950		1400		1600	1650	2545	5042	162	162	
Full free Duplex	4500	900	950	1250	1350	1400	1600	2795	5542	162	162	6/6
	2500	1000		1500		1800		1745	3542	1225	743	6/12
	2700	1000		1500		1800		1845	3742	1325	843	
	3000	1000		1500		1800		1995	4042	1475	993	
	3300	1000		1500		1800		2145	4342	1625	1143	
	3500	1000		1500		1800		2245	4542	1725	1243	
4000	950		1400		1600	1650	2545	5042	2025	1543	6/8	
Full free triplex	4500	900	950	1250	1350	1300	1600	2795	5542	2275	1793	6/6
	4000	2750										6/6
	4350	2600						1965	5273	1350	732	
	4500	2400						2090	5623	1475	857	
	4700	2200						2140	5773	1525	907	
	4800	2200						2205	5973	1590	972	
	5000	2000						2240	6073	1625	1007	
	5400	1500						2383	6273	1768	1150	3/6
	5500	1500						2583	6673	1968	1350	
	6000	1100						2617	6773	2002	1384	
							2850	7273	2235	1671		

Mast type	Max. height	Rated capacity					Height		Free-lift		Mast angle
		Load center 500mm					Retracted height	Height with carriage	Without carriage	With carriage	
		2t	Double tyres	2.5t	Double tyres						
Standard wide-view	2500	2000		2500			1810	3540	140	140	6/12
	2700						1910	3740	140	140	
	3000						2060	4040	140	140	
	3300						2210	4340	140	140	
	3500						2310	4540	140	140	
	4000	1900	2000	2300	2500		2610	5040	140	140	6/8
	4500	1600	1800	1800	2300		2860	5540	140	140	6/6
	5000	1250	1700	1300	2200		3110	6040	140	140	3/6
Full free Duplex	2500	2000		2500			1810	3540	1167	810	6/12
	2700						1910	3740	1267	910	
	3000						2060	4040	1417	1060	
	3300						2210	4340	1567	1210	
	3500						2310	4540	1667	1310	
	4000	1900	2000	2300	2500		2610	5040	1967	1610	6/8
	4500	1600	1800	1800	2300		2860	5540	2217	1860	6/6
Full free triplex	4000	1850		2300			1985	5040	1355	985	6/6
	4350	1800	1900	2000	2400		2110	5390	1480	1110	
	4500	1600	1800	1800	2300		2160	5540	1530	1160	
	4700	1400	1700	1700	2200		2225	5740	1595	1225	
	4800	1400	1700	1700	2200		2260	5840	1630	1260	
	5000	1300	1600	1500	2100		2403	6040	1773	1403	
	5400	1100	1500	1200	2000		2603	6440	1973	1603	3/6
	5500	1000	1500	1100	1800		2637	6540	2007	1637	
	6000	700	1400	800	1600		2870	7040	2240	1870	

Mast type	Max. height	Rated capacity					Height		Free-lift		Mast angle
		Load center 500mm					Retracted height	Height with carriage	Without carriage	With carriage	
		3t	Double tyres								
Standard wide-view	2500	3000					1830	3773	145	145	6/12
	2700						1930	3973	145	145	
	3000						2080	4273	145	145	
	3300						2230	4573	145	145	
	3500						2330	4773	145	145	
	4000	2900	3000				2630	5273	145	145	6/8
	4500	2500	2800				2880	5773	145	145	6/6
	5000	2000	2700				3130	6273	145	145	3/6
	5500		2400				3430	6773	145	145	
Full free Duplex	2500	3000					1830	3773	1172	602	6/12
	2700						1930	3973	1272	702	
	3000						2080	4273	1422	852	
	3300						2230	4573	1572	1002	
	3500						2330	4773	1672	1102	
	4000	2900	3000				2630	5273	1972	1402	6/8
	4500	2500	2800				2880	5773	2222	1652	6/6
Full free triplex	4000	2800					2005	5273	1376	777	6/6
	4350	2600	2900				2130	5623	1501	902	
	4500	2450	2800				2180	5773	1551	952	
	4700	2300	2700				2245	5973	1616	1017	
	4800	2200	2700				2280	6073	1651	1052	
	5000	2000	2600				2423	6273	1794	1195	
	5400	1600	2400				2623	6673	1994	1395	3/6
	5500	1600	2250				2657	6773	2028	1429	
	6000	1100	2100				2890	7273	2261	1662	

Mast type	Max. height	Rated capacity						Height		Free-lift		Mast angle
		Load center 500mm						Retracted height	Height with carriage	Without carriage	With carriage	
		3.5t	Double tyres									
Standard wide-view	2500	3500						1980	3773	145	145	6/12
	2700							2080	3973	145	145	
	3000							2230	4273	145	145	
	3300							2380	4573	145	145	
	3500							2480	4773	145	145	
	4000	3200	3400				2780	5273	145	145	6/8	
	4500	2600	3000				3030	5773	145	145	6/6	
	5000	2100	2850				3280	6273	145	145	3/6	
	5500		2400				3580	6773	145	145		
Full free Duplex	2500	3500						1830	3773	1172	602	6/12
	2700							1930	3973	1272	702	
	3000							2080	4273	1422	852	
	3300							2230	4573	1572	1002	
	3500							2330	4773	1672	1102	
	4000	3200	3400				2630	5273	1972	1402	6/8	
	4500	2600	3000				2880	5773	2222	1652	6/6	
Full free triplex	4000						2005	5273	1246	777	6/6	
	4350	3000	3000				2130	5623	1371	902		
	4500	3000	3000				2180	5773	1421	952		
	4700	2500	2900				2245	5973	1486	1017		
	4800	2500	2900				2280	6073	1521	1052		
	5000	2400	2850				2423	6273	1664	1195		
	5400	1750	2500				2623	6673	1864	1395		
	5500	1750	2500				2657	6773	1898	1429	3/6	
	6000	1200	2200				2890	7273	2131	1662		

Mast type	Max. height	Rated capacity						Height		Free-lift		Mast angle
		Load center 500mm						Retracted height	Height with carriage	Without carriage	With carriage	
		4t	Double tyres	4.5t	Double tyres	5t	Double tyres					
Standard wide-view	2600	4000		4500		5000		2190	3875	150	150	6/12
	3000							2390	4275	150	150	
	3300							2540	4575	150	150	
	3500							2640	4775	150	150	
	4000	3800		4350		4600		2940	5275	150	150	6/6
	4500	3500	4000	4000	4500	4500	4800	3190	5775	150	150	
	5000	3100	3700	3600	4300	4000	4600	3440	6275	150	150	
	Full free Duplex	2610	4000		4500		5000		2195	3885	1349	970
2710		2245							3985	1399	1020	
3000		2390							4275	1544	1165	
3300		2540							4575	1694	1315	
3500		2640							4775	1794	1415	
4000		3800	4000	4350	4500	4600	5000	2890	5275	2044	1665	6/6
Full free triplex	3920	3900		4400		4800		2245	5195	1399	1020	6/6
	4350	3800		4300		4700		2390	5625	1544	1165	
	4500	3500		4000		4500		2441	5775	1595	1216	
	4700	3400		3800		4200		2507	5975	1661	1282	
	4800	3400	3700	3800	4200	4200	4600	2540	6075	1694	1315	
	5000	3000	3600	3300	4100	3800	4500	2640	6275	1794	1415	
	5400	2800	3400	3000	3900	3400	4300	2765	6675	1919	1540	
	6000	2000	3200	2200	3500	2500	4000	3005	7275	2159	1780	



Mast type	Max. height	Rated capacity		Height				Free-lift			Mast angle
		Load center 500mm		Retracted height	With positioner	Fork≥ 2200	With positioner and sidershifter	Positioner	Fork≥ 2200	Side shifter	
		8t									Front/back
Standard wide-view	3000	10000		2845	4307	4532	4492	210	210	210	6/12
	3300		2995	4607	4832	4792	210	210	210		
	3500		3095	4807	5032	4992	210	210	210		
	4000		3395	5307	5532	5492	210	210	210		
	4500		3645	5807	6032	5992	210	210	210		
	5000		10000	3895	6307	6532	6492	210	210	210	
	5500	9000	4195	7032	7032	6992	210	210	210	3/6	
Full free Duplex											
Full free triplex	4500	7500		2870	5872	6097	6057	1578	1353	1393	6/12
	4800	7500		2970	6172	6397	6357	1678	1453	1493	6/6
	5000	7500		3035	6372	6597	6557	1743	1518	1558	6/6
	5400	7000		3225	6772	6997	6957	1933	1708	1748	
	6000	6000		3425	7372	7597	7557	2133	1908	1948	3/6

Mast type	Max. Height	Rated capacity						Height		Free-lift		Mast angle
		Load center 500mm						Retracted height	Max height with carriage	Without carriage	With carriage	
		1T	Double tyres	1.5T	Double tyres							Front/back
Standard wide-view	2500	1000	1500					1745	3542	162	162	6/12
	2700			1845	3742	162	162					
	3000			1995	4042	162	162					
	3300			2145	4342	162	162					
	3500			2245	4542	162	162					
	4000			900	1000	1400	1500	2545	5042	162	162	
Full free Duplex	2500	1000	1500					1745	3542	1225	743	6/12
	2700			1845	3742	1325	843					
	3000			1995	4042	1475	993					
	3300			2145	4342	1625	1143					
	3500			2245	4542	1725	1243					
	4000			900	1000	1400	1500	2545	5042	2025	1543	
Full free triplex	4000	900	900	1300	1300			1930	5040	1400	930	6/6
	4350	800	850	1250	1300			2055	5390	1525	1055	
	4500	750	800	1200	1250			2105	5540	1575	1105	
	4700	700	750	1100	1200			2175	5740	1645	1175	
	4800	700	750	1100	1200			2205	5840	1675	1205	
	5000	650	750	900	1100			2305	6040	1775	1305	
	5400	500	700	600	900			2430	6440	1900	1430	3/6
	5500		600		800			2455	6540	1925	1455	
	6000		600		800			2655	7040	2135	1655	





2-2.5T electric forklift

1.5-1.8T three wheel electric forklift



Mast type	Max. Height	Rated capacity				Height		Free-lift		Mast angle	
		Load center 500mm				Retracted height	Max height with carriage	Without carriage	With carriage		
		2T	Double tyres	2.5T	Double tyres					Front/back	
Standard wide-view	2500	2000		2500		1810	3540	140	140	6/12	
	2700	2000		2500		1910	3740	140	140		
	3000	2000		2500		2060	4040	140	140		
	3300	2000		2500		2210	4340	140	140		
	3500	2000		2500		2310	4540	140	140		
	4000	1900	2000	2300	2500	2610	5040	140	140	6/8	
	4500	1600	1800	1800	2300	2860	5540	140	140	6/6	
Full free Duplex	2500	1000		1500		1810	3540	1167	810	6/12	
	2700	1000		1500		1910	3740	1267	910		
	3000	1000		1500		2060	4040	1417	1060		
	3300	1000		1500		2210	4340	1567	1210		
	3500	1000		1500		2310	4540	1667	1310		
	4000	900	1000	1400	1500	2610	5040	1967	1610	6/8	
	4500	1600	1800	1800	2300	2860	5540	2217	1860	6/6	
Full free triplex	4000	1800	1800	2200	2300	1985	5040	1355	985	6/6	
	4350	1700	1800	1900	2200	2110	5390	1480	1110		
	4500	1600	1700	1800	2150	2160	5540	1530	1160		
	4700	1400	1700	1600	2100	2225	5740	1595	1225		
	4800	1400	1650	1600	2100	2260	5840	1630	1260		
	5000	1300	1650	1400	2000	2403	6040	1773	1403	3/6	
	5400	1100	1600	1200	1800	2603	6440	1973	1603		
	5500	1100	1450	1100	1800	2637	6540	2007	1637		
	6000	600	1400	700	1500	2870	7040	2240	1870		

Mast type	Max. lifting height	Rated capacity			Height		Free-lift		Mast angle
		Load center 500mm			Retracted height	max height with carriage	Without carriage	With carriage	
			1.5T	1.8T					Front/back
Standard wide-view	2500				1730	3495	140	140	5/7
	2700				1830	3695	140	140	
	3000	1500	1750		1980	3995	140	140	
	3300	1500	1750		2130	4295	140	140	
	3500	1500	1750		2230	4495	140	140	
	4000	1400	1600		2530	4995	140	140	3/5
Full free triplex	4000	1300	1500	1940	5040	1410	940	3/5	
	4350	1280	1400	2065	5390	1535	1065		
	4500	1250	1400	2115	5540	1585	1115		
	4700	1250	1300	2185	5740	1655	1185		
	4800	1200	1300	2215	5840	1685	1215		
	5000	1100	1200	2315	6040	1785	1315		
	5400	900	1000	2440	6440	1910	1440		
	5500	750	850	2465	6540	1935	1465		
	6000	500	650	2665	7040	2135	1665		



## 2-2.5T AC electric forklift

## 3T AC electric forklift



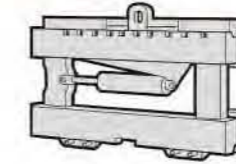
Mast type	Max. Height	Rated capacity					Height		Free-lift		Mast angle
		Load center 500mm					Retracted height	Max height with carriage	Without carriage	With carriage	
		2T	Double tyres	2.5T	Double tyres						Front/back
Standard wide-view	2500					1790	3540	140	140	6/10	
	2700					1890	3740	140	140		
	3000	2000		2500		2040	4040	140	140		
	3300					2190	4340	140	140		
	3500					2290	4540	140	140		
	4000	1900	2000	2300	2500	2590	5040	140	140	6/8	
	4500	1600	1800	1800	2300	2840	5540	140	140	6/6	
Full free Duplex											
full free triplex	4000	1800		2200		1965	5040	1375	965	6/6	
	4350	1700	1900	1900	2250	2090	5390	1500	1090		
	4500	1600	1700	1800	2150	2140	5540	1550	1140		
	4700	1400	1600	1600	2100	2205	5740	1651	1205		
	4800	1400	1600	1600	2100	2240	5840	1650	1240		
	5000	1300	1500	1400	2000	2383	6040	1793	1383		
	5400	1100	1500	1200	1900	2583	6440	1993	1583	3/6	
	5500	1000	1450	1100	1800	2617	6540	2027	1617		
	6000	600	1400	700	1600	2850	7040	2260	1850		

Mast type	Max. Height	Rated capacity					Height		Free-lift		Mast angle
		Load center 500mm					Retracted height	Max height with carriage	Without carriage	With carriage	
		3T									Front/back
Standard wide-view	2500					1790	3773	145	145	6/10	
	2700					1890	3973	145	145		
	3000	3000				2040	4273	145	145		
	3300					2190	4573	145	145		
	3500					2290	4773	145	145		
	4000	2850				2590	5273	145	145	6/8	
	4500	2500				2840	5773	145	145	6/6	
Full free Duplex	2500					1790	3773			6/10	
	2700					1890	3973				
	3000					2040	4273	1186.9	767		
	3300					2190	4573				
	3500					2290	4773				
	4000					2590	5273			6/8	
	4500					2840	5773			6/6	
full free triplex	4000	2750				1965	5273	1350	732	6/6	
	4350	2600				2090	5623	1475	857		
	4500	2400				2140	5773	1525	907		
	4700	2200				2205	5973	1590	972		
	4800	2200				2240	6073	1625	1007		
	5000	2000				2383	6273	1768	1150	3/6	
	5400	1500				2583	6673	1968	1350		
	5500	1500				2617	6773	2002	1384		
	6000	1100				2850	7273	2235	1671		

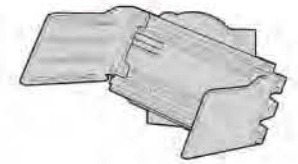
	ITEMS	Load Capacity (in tons)					
		1-1.8	2-2.5	3-3.5	4-small5	5big-7	8-10
Optionals	Cabin	○	○	○	○	○	○
	Heater for Cabin	○	○	○	○	○	○
	Windshield	○	○	○	○	○	○
	Dual Air Filter	○	○				
	Suspension Seat	○	○	○	○	○	○
	Solid Tire	○	○	○	○	○	○
	Double Tires		○	○	○	○	○
	Spare Tire	○	○	○	○	○	○
	Fire Extinguisher	○	○	○	○	○	○
	Vertical Exhaust	○	○	○	○	○	○
	Smoke Reduction/Spark Arrester Muffler	○	○	○	○	○	○
	Extension Fork	○	○	○	○	○	○
	Wide carriage	○	○	○	○	○	○
	High Backrest	○	○	○	○	○	○
Attachment	Side Shifter	○	○	○	○	○	○
	Bale Clamp	○	○	○	○		
	Fork Positioner	○	○	○	○	○	○
	Paper Roll Clamp	○	○	○	○	○	
	Hinged Fork	○	○	○			
	Roating Fork	○	○	○	○	○	
	Load Stabilizer	○	○	○	○	○	
	Block Clamp	○	○	○			
	Carton Clamp	○	○	○			
	Fork Clamp	○	○	○			
	Single Double Pallet Handler	○	○	○			



INTERTED SIDESHIFTER  
( APPLICABLE TO 1.5T~3.5T)



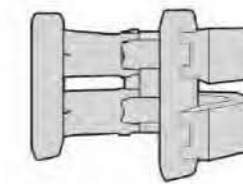
HOOK-ON SIDESHIFTER  
( APPLICABLE TO 1.5T~8T)



BALE CLAMP  
( APPLICABLE TO 1.5T~7T)



FORK POSITIONER  
( APPLICABLE TO 1.5T~8T)



PAPER ROLL CLAMP  
( APPLICABLE TO 1.5T~8T)



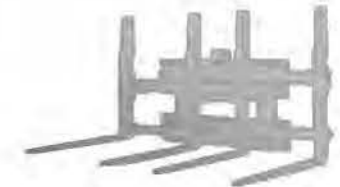
HINGED FORKS  
( APPLICABLE TO 1.5T~5T)



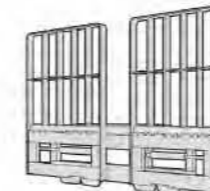
ROTATOR  
( APPLICABLE TO 1.5T~8T)



LOAD STABILIZER  
( APPLICABLE TO 1.5T~8T)



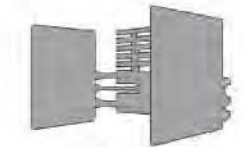
SINGLE DOUBLE PALLET HANDLERS  
( APPLICABLE TO 1.5T~4T)



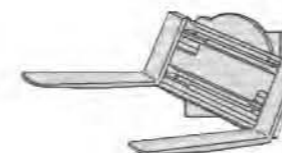
DOUBLE WIDE SIDESHIFTERS  
( APPLICABLE TO 1.5T~3.5T)



BLOCK CLAMP  
( APPLICABLE TO 1.5T~4T)



CARTON CLAMP  
( APPLICABLE TO 1.5T~4T)



FORK CLAMP



Baoli

30

Baoli



**Lifting the World**  
KION BAOLI-a member of KION Group