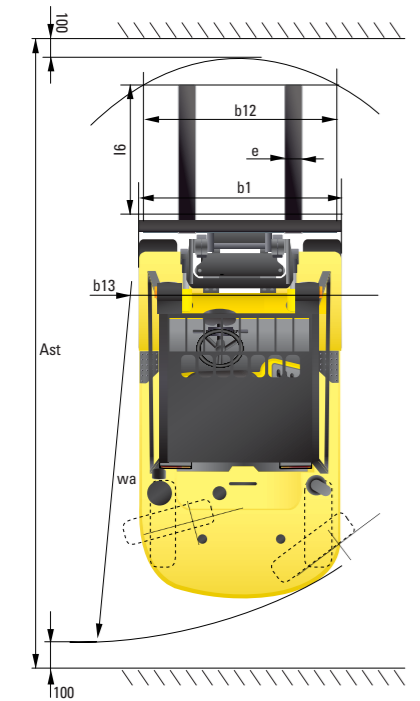
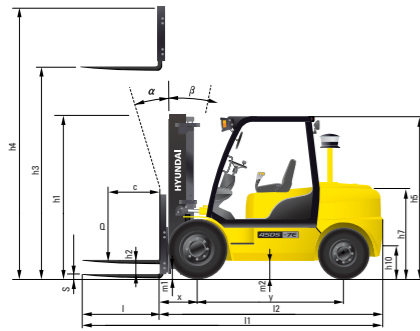


Dimension



Specification

Identification						
1.1	Manufacturer		Hyundai	Hyundai	Hyundai	Hyundai
1.2	Manufacturer's type designation		35DS-7E	40DS-7E	45DS-7E	50DA-7E
1.3	Drive: electric (battery or mains), diesel, petrol, fuel gas, manual		DIESEL	DIESEL	DIESEL	DIESEL
1.4	Type of operation: hand, pedestrian, standing, seated, order-picker		seated	seated	seated	seated
1.5	Load capacity / rated load	lb	7,720	8,820	9,920	11,020
1.6	Load center distance	c(in)	23.6	23.6	23.6	23.6
1.8	Load distance, center of drive axle to fork	x(in)	22.1	22.1	22.1	22.7
1.9	Wheelbase	y(in)	78.7	78.7	78.7	78.7
Weights						
2.1	Service weight	lb	12,990	14,250	15,170	16,100
2.2	Axle loading, loaded front/rear	lb	18,450 / 2,260	20,480 / 2,590	22,240 / 2,850	24,090 / 3,030
2.3	Axle loading, unloaded front/rear	lb	6,260 / 6,730	6,550 / 7,700	6,570 / 8,600	6,590 / 9,510
Wheels, Chassis						
3.1	Tires: solid rubber, superelastic, pneumatic, polyurethane		pneumatic	pneumatic	pneumatic	pneumatic
3.2	Tires size, front (φ x width)		8.25-15-14	7.50-16-12	7.50-16-12	7.50-16-12
3.3	Tires size, rear (φ x width)		7.00-12-12	7.00-12-12	7.00-12-12	7.00-12-14
3.5	Wheels, number front x rear (x=driven wheels)		2 x 2	4 x 2	4 x 2	4 x 2
3.6	Track width, front	in	45.7	51.7	51.7	51.7
3.7	Track width, rear	in	44.9	44.9	44.9	44.9
Basic Dimensions						
4.1	Mast / fork carriage tilt forward / backward (α/β)	degrees	8 / 10	8 / 10	8 / 10	8 / 10
4.2	Lowered mast height	h1 (in)	88.0	87.4	87.4	87.4
4.3	Free lift	h2 (in)	4.7	4.7	4.7	4.7
4.4	Lift height	h3 (in)	118.1	118.1	118.1	114.2
4.5	Extended mast height	h4 (in)	166.3	166.3	166.7	162.8
4.7	Overhead guard height (low opt/ std/ high opt)	h5 (in)	87.0 / 88.2 / 92.1	87.0 / 88.2 / 92.1	87.0 / 88.2 / 92.1	87.0 / 88.2 / 92.1
4.8	Seat height / standing height	h7 (in)	43.3	43.3	43.3	43.3
4.12	Coupling height	h10 (in)	14.3	14.3	14.3	14.3
4.19	Overall length	l1 (in)	163.0	165.2	173.4	175.2
4.20	Length to face of forks	l2 (in)	120.9	123.0	125.4	128.0
4.21	Overall width	b1 (in)	55.1	69.9	69.9	69.9
4.22	Fork dimensions (hook type)	l / w / t (in)	42.1 x 4.8 x 2.0	42.1 x 5.9 x 2.0	48.0 x 5.9 x 2.0	48.0 x 5.9 x 2.4
4.23	Fork carriage ISO 2328, class / type A/B		III / A	III / A	IV / A	IV / A
4.24	Fork-carriage width	b3 (in)	51.2	63.0	63.0	63.0
4.31	Ground clearance, loaded, under mast	m1 (in)	6.7	6.1	6.1	6.1
4.32	Ground clearance, centre of wheelbase	m2 (in)	8.5	7.9	7.9	7.9
4.33	Aisle width for pallets 1,000x1,200 crossways (LxW)	Ast (in)	170.5	172.9	175.2	177.6
4.34	Aisle width for pallets 800x1,200 lengthways (WxL)	Ast (in)	171.3	173.7	176.0	178.4
4.35	Turning radius	Wa (in)	109.1	111.4	113.8	116.1
4.36	Smallest pivot point distance	in	39.2	39.2	39.2	39.2
Performance Data						
5.1	Travel speed, unloaded	mph	16.8	16.2	16.2	16.2
5.2	Lift speed, loaded / unloaded	fpm	102.4 / 114.2	102.4 / 114.2	102.4 / 114.2	88.6 / 92.5
5.3	Lowering speed, loaded / unloaded	fpm	98.4 / 98.4	98.4 / 98.4	98.4 / 98.4	98.4 / 98.4
5.5	Drawbar pull, loaded	lb	8,320	8,510	8,470	8,530
5.7	Gradient performance, loaded / unloaded	%	38.7	34.8	31.8	30.8
5.9	Acceleration time, loaded / unloaded (10m)		-	-	-	-
5.10	Service brake		hydraulic	hydraulic	hydraulic	hydraulic
Engine						
6.1	Engine manufacturer / type		Mitsubishi S6S-T	Mitsubishi S6S-T	Mitsubishi S6S-T	Mitsubishi S6S-T
6.2	Engine power acc. to ISO 1585	kW	67.7	67.7	67.7	67.7
6.3	Rated speed	1/min	2,300	2,300	2,300	2,300
6.4	No. of cylinder / cubic capacity	anz/cm ³	4,996	4,996	4,996	4,996
6.5	Fuel consumption acc. To VDI cycle	ℓ / h	3.5	3.7	3.9	3.9
Other Details						
8.1	Type of drive control		Torque Converter 2/2	Torque Converter 2/2	Torque Converter 2/2	Torque Converter 2/2
8.2	Operating pressure (system / attach)	bar	210	210	210	210
8.3	Oil volume (hydraulic)	ℓ	66	66	66	66
8.4	Noise	db(A)	106	106	106	106



■ Some of the photos may include optional equipment.

North America Only

35/40/45DS/50DA-7E

FORKLIFT TRUCKS Environmentally - Friendly

HYUNDAI FORKLIFT

HEAVY INDUSTRIES CO., LTD.

Head Office (Sales Office)
1 JEONHA-DONG, DONG-GU, ULSAN, KOREA Tel (82) (52) 202-7970, 7729, 0971 Fax (82) (52) 202-7979, 7720

U.S. Operation : Hyundai Construction Equipment U.S.A., Inc.
955 ESTES AVENUE, ELK GROVE VILLAGE IL, 60007 Tel (1) 847-437-3333 Fax (1) 847-437-3574

European Operation : Hyundai Heavy Industries Europe N.V.
VOSSENDAAL 11, 2440 GEEL, BELGIUM Tel (32) 14-56-2200 Fax (32) 14-59-3405

India Operation : Hyundai Construction Equipment India Pvt., Ltd
PLOT NO.A-2, CHAKAN INDUSTRIAL AREA, VILL.- KHALUMBRE,
TALUK.- KHED., DIST.- PUNE 410 501, INDIA Tel (91) 21-3530-1700 Fax (91) 21-3530-1712

PLEASE CONTACT

www.hyundai-ce.com

2008.12. Rev0

HYUNDAI
HEAVY INDUSTRIES CO., LTD.

We build a better future

35/40/45DS/50DA-7E

New criterion of Forklift Trucks

Hyundai introduces a new line of 7E-series diesel forklift trucks. Excellent power and performance make your business more profitable.



■ Some of the photos may include optional equipment.

High Power & Performance

Powerful Engine Mitsubishi S6S-DT Engine

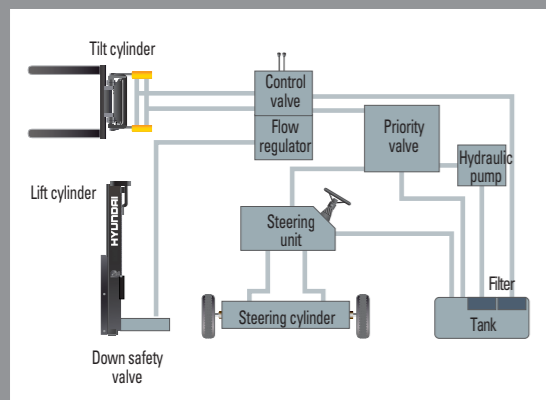
The six cylinders turbo-charged engine is built for power, reliability and economy. This engine meets EPA tier III and EU stage III emission regulation.

67.7kW/2,300rpm



State-of-the-art hydraulic system

The latest large-capacity hydraulic system reacts quickly during operation, and a low-noise control valve increases both efficiency and durability.



The new master on the job-site!
Smooth running, efficient and ergonomically designed, 35/40/45DS/50DA-7E series are made to meet your needs.

Some of the photos may include optional equipment.



Fast and stable performance

Being able to quickly raise and lower the mast, as well as tilt it forward and backward, providing the best operational conditions during unloading. When the truck is fully loaded, mast lowering speed is carefully controlled to ensure safety by the down control valve.

Faster travel speed & gradeability

The powerful high-output engine provides greater acceleration, better gradeability and faster travel speed on any tough terrain or slope.

Gradeability(Loaded)		Travel speed(Unloaded)	
35DS-7E	38.7%	35DS-7E	16.8mph
45DS-7E	31.8%	45DS-7E	16.2mph
40DS-7E	34.8%	40DS-7E	16.2mph
50DA-7E	30.8%	50DA-7E	16.2mph



Increased mast tilting angle

The mast tilting angle of 8 degrees forward and 10 degrees backward, the operator can safely and rapidly perform loading and unloading jobs.



Wet disc brake system(Optional)

The wet disc brake system is virtually maintenance free and is enclosed to protect from dust and water.



Fully hydrostatic power steering

A hydraulic steering system always guarantees smooth and flexible steering, preventing overrun and kick-back.



OPSS (Operator Presence Sensing System)

Control of mast tilting, lifting and lowering is not possible through operation of the appropriate control when the operator is not in the normal position.(Option)

Comfortable Operation



Adjustable steering wheel

Steering wheel with horn button can be adjusted by a lever on the right-hand side for the most comfortable operator position.



Easy and safe shift lever

A single lever on the left side of the steering column gives the operator fast and easy controls of the direction.



Multi-function switch lever

Multi-functional switch lever gives easy access to lights and horn.



Quick response of operating control levers

Only minimal operator's effort is required for precise, safe and productive control.



■ Some of the photos may include optional equipment.

Ergonomically designed with the operator in mind!

A design based on human engineering relieves fatigue and increases operator's efficiency.



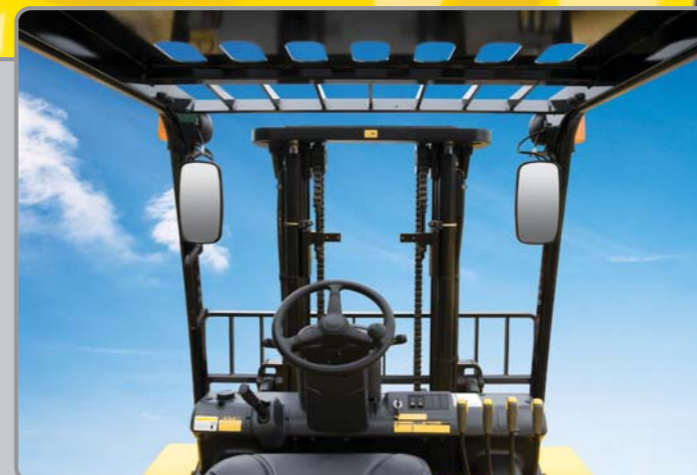
Ergonomically positioned pedals

Based on human engineering, the accelerator, brake and inching pedals are optimally positioned for convenience while operating the equipment.



Cup holder & console box

Additional storage spaces are located inside the operating space for operator's convenience.



New high visibility for safe operation

The operator is able to work with increased safety and accuracy due to a wider view mast.

Operator friendly gauges and water-resistant monitor panel



- | | |
|---|---------------------------|
| ① Parking brake lamp | ⑨ Water separator lamp |
| ② Directional indicators | ⑩ Pre-heater indicator |
| ③ Fuel warning lamp | ⑪ Water temperature gauge |
| ④ Engine oil warning lamp | ⑫ Fuel gauge |
| ⑤ Transmission oil temperature warning lamp | ⑬ Hour meter |
| ⑥ Battery charging warning lamp | ⑭ Engine check lamp |
| ⑦ Air cleaner filter warning light | ⑮ Seat belt warning |
| ⑧ Working light indicator | ⑯ OPS warning |

Easily adjustable suspension seat

An attractive and adjustable seat, based on a human engineering design, provides great comfort, safety and durability.



Full floating overhead guard mount

The anti-vibration rubber is installed between the guard and truck frame to reduce the source of vibration and noise while driving. This not only reduces operator's fatigue but also increases safety.



Endurance & Safety

Strong overhead guard

The safety overhead guard exceeds EEC and ANSI regulations and protects the operator during hazardous jobs.



Parking brake

Toggle type parking brake requires less efforts from the operator to set.



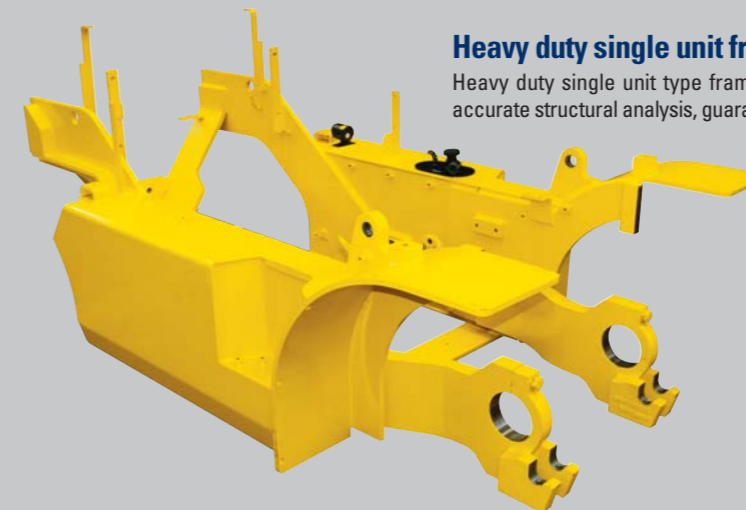
Highly durable split type drive axle

Powershift transmission provides fast travel speed and quiet travel under any heavy load condition, and boosts work efficiency.



Large footboard & hand grip

Wide "open" step offers convenience and safety when entering and exiting truck.



Heavy duty single unit frame

Heavy unit single type frame, designed on the basis of accurate structural analysis, guarantees durability and safety.



Easy access of electrical components

Various electric parts are centralized in dash board resulting in improvement in maintenance.



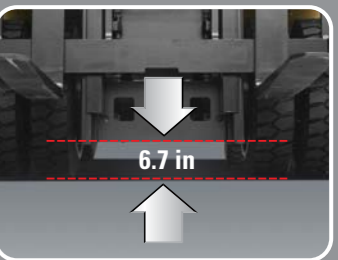
Expansion bellows

The expansion bellows absorbs vibration and reduces noise generated from the exhaust gas system and also extends the life cycle of exhaust gas system.



Bright, protected headlights

Bright, protected headlights is positioned for exceptional visibility.

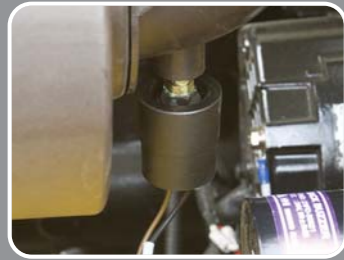


Ground clearance

The engine and transmission are assembled horizontally and positioned high in the frame to protect expansive components during operation on rugged surface.

■ Some of the photos may include optional equipment.

Durability **Easy** Maintenance



Electrically monitored air filter

Air cleaner sensor alerts the operator of a restricted air filter and allows replacement before damage.



Easy maintenance oil check

The T/M oil level can be checked easily without any disassembly.



Brake fluid reservoir

Highly visible, easily accessible reservoir makes for quicker daily inspections.



An accessible, compact fuse box for easy inspection



Centralized design for easy service!

An ideal arrangement of component parts ensures easy accesses and conveniences for the maintenance.



Easy change air cleaner

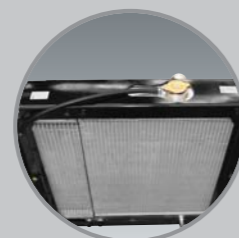
The air filter is readily accessible for cleaning or replacement. (7inch Cyclone Type)



Portable side cover



Double battery installation



Aluminum radiator with superb protection against heat



Quick and easy engine oil check



Key-locking fuel cap

Mast Specification (35/40/45DS-7E)

Mast Type	Maximum Fork Height (in)	Overall Height (Lowered) (in)		Free Lift Height (in)		Tilt Angle (deg)	Load Capacity without side shift at 24in LC (lb)						Load Capacity with side shift at 24in LC (lb)						Truck Weight (Unloaded) (lb)							
		Single Tire		Double Tire			Fwd	Bwd	Single Tire			Double Tire			Single Tire		Double Tire		35DS-7E	40DS-7E	45DS-7E	35DS-7E	40DS-7E	45DS-7E		
		35/40/45DS-7E	35/40/45DS-7E	35/40/45DS-7E	35/40/45DS-7E				35DS-7E	40DS-7E	45DS-7E	35DS-7E	40DS-7E	45DS-7E	35DS-7E	40DS-7E										
2 Stage limited free lift	V270	107.1	82.1	81.5	4.7	4.7	8	10	7,700	8,800	9,900	7,700	8,800	9,900	7,700	8,800	9,900	7,700	8,800	9,900	12,901	13,922	14,830	13,242	14,155	15,069
	*V300	118.9	88.0	87.4	4.7	4.7	8	10	7,700	8,800	9,900	7,700	8,800	9,900	7,700	8,800	9,900	7,700	8,800	9,900	12,967	13,988	14,896	13,308	14,221	15,136
	V330	130.7	93.9	93.3	4.7	4.7	8	10	7,700	8,800	9,900	7,700	8,800	9,900	7,700	8,800	9,900	7,700	8,800	9,900	13,050	14,071	14,979	13,391	14,304	15,219
	V350	138.6	99.8	99.2	4.7	4.7	8	10	7,700	8,800	9,900	7,700	8,800	9,900	7,700	8,800	9,900	7,700	8,800	9,900	13,101	14,122	15,030	13,442	14,355	15,269
	V370	146.5	103.7	103.1	4.7	4.7	8	10	7,700	8,800	9,900	7,700	8,800	9,900	7,700	8,690	9,680	7,700	8,690	9,680	13,145	14,166	15,074	13,486	14,399	15,313
	V400	158.3	112.0	111.4	4.7	4.7	8	10	7,700	8,800	9,900	7,700	8,800	9,900	7,480	8,580	9,570	7,480	8,580	9,570	13,239	14,259	15,168	13,579	14,493	15,407
	V450	178.0	121.9	121.3	4.7	4.7	6	6	7,700	8,800	9,790	7,700	8,800	9,900	7,260	8,360	9,240	7,260	8,360	9,240	13,487	14,507	15,416	13,827	14,741	15,655
2 Stage full free lift	V500	197.6	131.7	131.1	4.7	4.7	6	6	7,480	8,580	9,460	7,590	8,690	9,570	7,040	8,140	8,910	7,150	8,140	8,910	13,598	14,619	15,527	13,939	14,852	15,767
	VF280	110.4	84.1	83.5	49.5	36.2	6	8	7,700	8,800	9,900	7,700	8,800	9,900	7,700	8,800	9,900	7,700	8,800	9,900	12,992	14,012	14,909	13,326	14,238	15,149
	VF300	118.3	88.0	87.4	53.5	40.1	6	8	7,700	8,800	9,900	7,700	8,800	9,900	7,700	8,800	9,900	7,700	8,800	9,900	13,049	14,069	14,967	13,384	14,295	15,206
	VF315	124.2	91.5	90.9	57.0	43.7	6	8	7,700	8,800	9,900	7,700	8,800	9,900	7,700	8,800	9,900	7,700	8,800	9,900	13,091	14,112	15,008	13,426	14,338	15,249
3 Stage full free lift	TF370	146.9	80.1	79.5	32.0	44.8	6	6	7,700	8,800	9,900	7,700	8,800	9,900	7,370	8,580	9,570	7,590	8,690	9,570	13,466	14,487	15,396	13,807	14,643	15,640
	TF400	158.7	84.1	83.5	35.9	48.8	6	6	7,700	8,800	9,900	7,700	8,800	9,900	7,260	8,470	9,460	7,480	8,470	9,350	13,532	14,553	15,461	13,873	14,709	15,706
	TF430	170.5	88.0	87.4	39.8	52.7	6	6	7,590	8,800	9,790	7,700	8,800	9,900	7,150	8,250	9,240	7,260	8,360	9,240	13,601	14,621	15,530	13,941	14,777	15,775
	TF450	177.6	90.4	90.2	42.2	55.1	6	6	7,480	8,800	9,680	7,700	8,800	9,790	7,040	8,360	9,130	7,260	8,360	9,130	13,642	14,662	15,571	13,982	14,818	15,816
	TF470	185.8	93.9	94.1	45.7	58.6	6	6	7,370	8,690	9,570	7,590	8,800	9,570	6,930	8,140	9,020	7,150	8,250	8,910	13,722	14,743	15,652	14,063	14,899	15,896
	TF500	197.6	97.8	97.2	49.7	62.6	6	6	7,260	8,470	9,350	7,480	8,580	9,460	6,820	7,920	8,800	7,040	8,030	8,800	13,773	14,793	15,702	14,113	14,949	15,947
	TF550	217.3	104.9	104.3	56.8	69.6	6	6	6,600	7,920	8,800	7,260	8,250	9,130	6,270	7,370	8,470	6,820	7,700	8,470	13,908	14,928	15,837	14,248	15,084	16,081
TF600	237.4	112.0	111.4	63.9	76.7	6	6	5,720	6,820	7,480	7,040	8,030	8,800	5,390	6,490	7,150	6,600	7,480	8,250	14,058	15,078	15,987	14,398	15,234	16,232	

Mast Specification (50DA-7E)

Mast Type	Maximum Fork Height (in)	Overall Height (Lowered) (in)		Free Lift Height (in)		Tilt Angle (deg)	Load Capacity without side shift at 24in LC (lb)				Load Capacity with side shift at 24in LC (lb)				Truck Weight (Unloaded) (lb)	
		Single Tire		Double Tire			Fwd	Bwd	Single Tire		Double Tire		Single Tire	Double Tire	50DA-7E	50DA-7E
		50DA-7E	50DA-7E	50DA-7E	50DA-7E				50DA-7E	50DA-7E	50DA-7E	50DA-7E				
2 Stage limited free lift	V260	103.5	82.1	81.5	4.7	4.7	8	10	11,000	11,000	11,000	11,000	11,000	11,000	15,742	15,997
	*V290	115.4	88.0	87.4	4.7	4.7	8	10	11,000	11,000	11,000	11,000	11,000	15,910	16,064	
	V320	127.2	93.9	93.3	4.7	4.7	8	10	11,000	11,000	11,000	11,000	11,000	15,853	16,108	
	V340	135.0	99.8	99.2	4.7	4.7	8	10	11,000	11,000	10,890	10,890	15,907	16,162		
	V360	142.9	103.7	103.1	4.7	4.7	8	10	11,000	11,000	10,780	10,780	15,944	16,199		
	V390	154.7	112.0	111.4	4.7	4.7	8	10	11,000	11,000	10,560	10,560	16,022	16,277		
	V440	174.4	121.9	121.3	4.7	4.7	6	6	10,670	10,890	10,230	10,230	16,249	16,504		
2 Stage full free lift	V490	194.1	131.7	131.1	4.7	4.7	6	6	10,340	10,560	9,900	9,900	16,342	16,596		
	VF270	106.2	84.1	83.5	35.6	48.1	6	8	11,000	11,000	10,340	10,450	15,873	16,119		
	VF290	114.1	88.0	87.4	39.6	52.1	6	8	10,780	11,000	10,230	10,340	15,928	16,174		
	VF305	120.0	91.5	90.9	43.1	55.6	6	8	10,560	10,780	10,010	10,120	15,968	16,214		
3 Stage full free lift	TF360	144.6	80.1	79.5	31.8	42.3	6	6	11,000	11,000	10,340	10,560	16,278	16,507		
	TF390	156.4	84.1	83.5	35.7	46.2	6	6	10,890	11,000	10,230	10,340	16,336	16,564		
	TF420	168.2	88.0	87.4	39.6	50.2	6	6	10,670	10,890	10,010	10,120	16,391	16,619		
	TF440	175.3	90.4	89.8	42.0	52.5	6	6	10,560	10,780	9,900	10,010	16,427	16,655		
	TF460	183.5	93.9	93.3	45.5	56.1	6	6	10,340	10,560	9,790	9,900	16,479	16,707		
	TF490	195.4	97.8	97.2	49.5	60.0	6	6	10,230	10,450	9,570	9,790	16,534	16,762		
	TF540	215.0	104.9	104.3	56.6	67.1	6	6	9,900	10,120	9,350	9,460	16,648	16,877		
TF590	235.1	112.0	111.4	63.6	74.2	6	6	9,020	9,790	9,020	9,240	16,737	16,965			

* Standard

Load Capacity

