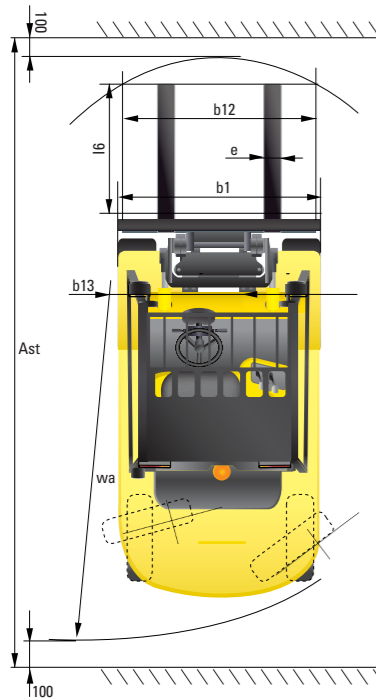
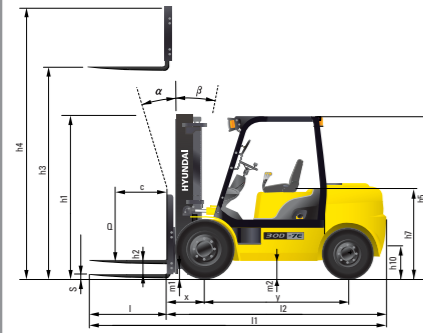


Dimension



Specification

Identification						
1.1	Manufacturer	Hyundai	Hyundai	Hyundai	Hyundai	
1.2	Manufacturer's type designation	20D-7E	25D-7E	30D-7E	33D-7E	
1.3	Drive: electric (battery or mains), diesel, petrol, fuel gas, manual	DIESEL	DIESEL	DIESEL	DIESEL	
1.4	Type of operation: hand, pedestrian, standing, seated, order-picker	seated	seated	seated	seated	
1.5	Load capacity / rated load	lb 4,000	5,000	6,000	6,500	
1.6	Load center distance	c (in)	24	24	24	
1.8	Load distance, center of drive axle to fork	x(in)	18.1	18.1	18.3	
1.9	Wheelbase	y(in)	65	65	67	
Weights						
2.1	Service weight	lb	7,945	8,585	9,725	10,633
2.2	Axle loading, loaded front/rear	lb	10,685 / 1,669	12,300 / 1,797	14,220 / 2,119	15,179 / 2,729
2.3	Axle loading, unloaded front/rear	lb	3,710 / 4,235	3,578 / 5,007	3,854 / 5,871	3,777 / 6,856
Wheels, Chassis						
3.1	Tires: solid rubber, superelastic, pneumatic, polyurethane	pneumatic	pneumatic	pneumatic	pneumatic	
3.2	Tires size, front (φ x width)	7.00-12-12PR	7.00-12-12PR	28x9-15-14PR	28x9-15-14PR	
3.3	Tires size, rear (φ x width)	6.00-9-10PR	6.00-9-10PR	6.50-10-12PR	6.50-10-12PR	
3.5	Wheels, number front x rear (x=driven wheels)	x2 / 2	x2 / 2	x2 / 2	x2 / 2	
3.6	Track width, front	in	38	38	40	
3.7	Track width, rear	n	39	39	39	
Basic Dimensions						
4.1	Mast / fork carriage tilt forward / backward (α/β) degrees	degrees	6 / 10	6 / 10	6 / 10	6 / 10
4.2	Lowered mast height	h1 (in)	85.6	85.6	86.2	86.2
4.3	Free lift	h2 (in)	6.1	6.1	6.1	6.1
4.4	Lift height	h3 (in)	130	130	130	126
4.5	Extended mast height	h4 (in)	177	177	177	173
4.7	Overhead load guard (cab) height	h5 (in)	85	85	86	86
4.8	Seat height / standing height	h7 (in)	43	43	43.5	43.5
4.12	Coupling height	h10 (in)	12	12	13	13
4.19	Overall length	l1 (in)	141	143	147.2	150
4.20	Length to face of forks	l2 (in)	99	102	106	109
4.21	Overall width	b1 (in)	46	46	48	48
4.22	Fork dimensions (hook type)	s / e / l (in)	41x4x1.8	41x4x1.8	41x5x1.8	41x5x1.8
4.23	Fork carriage ISO 2328, class / type A,B		2A	2A	2A	2A
4.24	Fork-carriage width	b12 (in)	42.7	42.7	42.7	42.7
4.31	Ground clearance, loaded, under mast	m1 (in)	4.5	4.3	4.6	4.5
4.32	Ground clearance, centre of wheelbase	m2 (in)	7.3	7.3	7.8	7.8
4.33	Aisle width for pallets 1,000x1,200 crossways (LxW)	Ast (in)	154	156	160	162
4.34	Aisle width for pallets 800x1,200 lengthways (WxL)	Ast (in)	162	164	168	170
4.35	Turning radius	Wa (in)	89	91	94	88.7
4.36	Smallest pivot point distance	b13 (in)	27.5	27.5	28.5	28.5
Performance Data						
5.1	Travel speed, unloaded	mph	11.7	11.7	12.2	12.2
5.2	Lift speed, loaded/ unloaded	ft/min	110 / 116	106 / 116	94 / 98	92 / 98
5.3	Lowering speed, loaded/unloaded	ft/min	98 / 88	98 / 88	98 / 88	98 / 88
5.5	Drawbar pull, loaded	lb	5,553	5,602	5,324	5,363
5.7	Gradient performance, loaded/ unloaded	%	43.1 / 24.9	37.3 / 22.2	29.9 / 21.0	27.6 / 19.6
5.9	Acceleration time, loaded/ unloaded (10m)	sec	NA	NA	NA	NA
5.10	Service brake		FOOT	FOOT	FOOT	FOOT
Engine						
6.1	Engine manufacturer / type		KUBOTA V3600	KUBOTA V3600	KUBOTA V3600	KUBOTA V3600
6.2	Engine power acc. to ISO 1585	kW	48	48	48	48
6.3	Rated speed	1/min	2,300	2,300	2,300	2,300
6.4	No. of cylinder / cubic capacity	anz/cm ³	4 / 3,620	4 / 3,620	4 / 3,620	4 / 3,620
6.5	Fuel consumption acc. To VDI cycle	ℓ / h	2.1	2.2	2.5	2.8
Other Details						
8.1	Type of drive control		power shift	power shift	power shift	power shift
8.2	Operating pressure (main / secondary)	bar	205 / 170	205 / 170	205 / 170	205 / 170
8.3	Oil volume	ℓ	30	30	30	30
8.4	Noise	db(A)	80	80	80	80

Contact your Hyundai dealer for more information. The machine shown may vary according to International standards.
All US measurement rounded off to nearest pounds or inches.

HYUNDAI | FORKLIFT

HEAVY INDUSTRIES CO., LTD.

Head Office (Sales Office)
1 JEONHA-DONG, DONG-GU, ULSAN, KOREA Tel (82) (52) 202-7970, 7729, 0971 Fax (82) (52) 202-7979, 7720

U.S. Operation : Hyundai Construction Equipment U.S.A., Inc.
955 ESTES AVENUE, ELK GROVE VILLAGE IL, 60007 Tel (1) 847-437-3333 Fax (1) 847-437-3574

European Operation : Hyundai Heavy Industries Europe N.V.
VOSSENDAAL 11, 2440 GEEL, BELGIUM Tel (32) 14-56-2200 Fax (32) 14-59-3405

India Operation : Hyundai Construction Equipment India Pvt., Ltd
PLOT NO.A-2, CHAKAN INDUSTRIAL AREA, VILL.- KHALUMBRE.
TALUK.- KHED., DIST.- PUNE 410 501, INDIA Tel (91) 21-3530-1700 Fax (91) 21-3530-1712

PLEASE CONTACT

www.hyundai-ce.com / ENGLISH

2009. 03. Rev 0



■ Some of the photos may include optional equipment.

North America Only

20D/25D/30D/33D-7E

FORKLIFT TRUCKS Environmentally - Friendly

HYUNDAI
HEAVY INDUSTRIES CO., LTD.

We build a better future

20D/25D/30D/33D -7E

New criterion of Forklift Trucks

Hyundai introduces a new line of 7E-series diesel forklift trucks. Excellent power and performance makes your business more profitable.



■ Some of the photos may include optional equipment.

High Power & Performance

Powerful Engine KUBOTA V3600 Engine

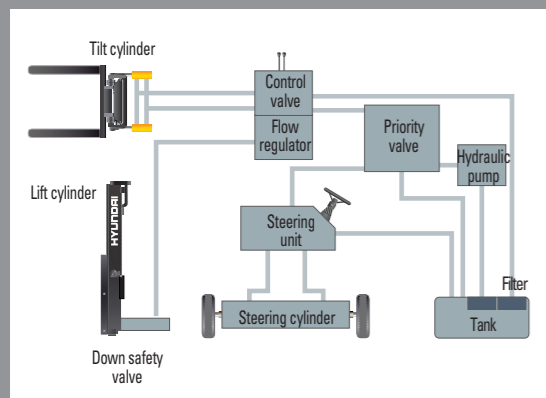
Market approved quality of Kubota V3600 engine ensures incomparable performance, durability and additional value to the machine. 48kW of the engine is more than enough to suit any work, not just with normal 48kW but with special attachments requiring high power as well. (EPA Int.Tier-4 / EC Stage III A Certified)

48kW/2,300rpm



State-of-the-art hydraulic system

The latest large-capacity hydraulic system reacts quickly during operation, and a low-noise control valve increases both efficiency and durability.



The new master on the job-site!

Smooth running, efficient and ergonomically designed, 20D/25D/30D/33D-7E series are made to meet your needs.

Some of the photos may include optional equipment.



Fast and stable performance

Being able to quickly raise and lower the mast, as well as tilt it forward and backward, provides the best operational conditions during unloading. When the truck is fully loaded, mast lowering speed is carefully controlled to ensure safety by the down control valve.

Faster travel speed & gradeability

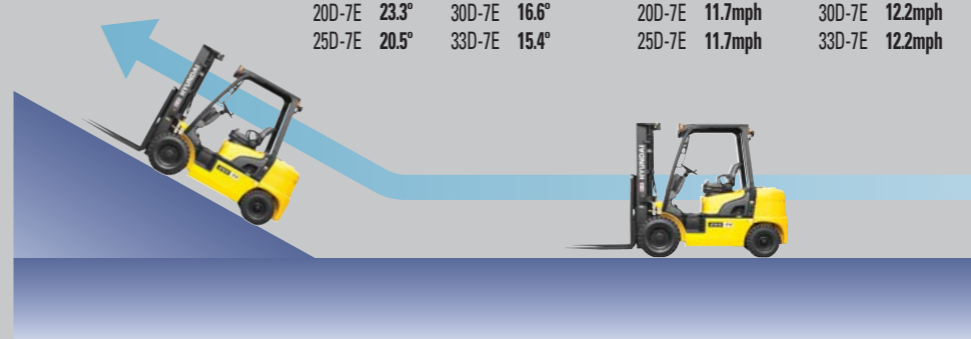
The powerful high-output engine provides greater acceleration, better gradeability and faster travel speed on any tough terrain or slope.

Gradeability (Loaded)

20D-7E	23.3°	30D-7E	16.6°
25D-7E	20.5°	33D-7E	15.4°

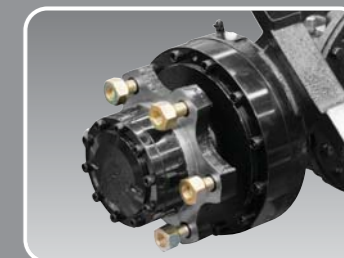
Travel speed (Unloaded)

20D-7E	11.7mph	30D-7E	12.2mph
25D-7E	11.7mph	33D-7E	12.2mph



Increased mast tilting angle

The mast tilting angle of 6 degrees forward and 10 degrees backward, the operator can safely and rapidly perform loading and unloading jobs.



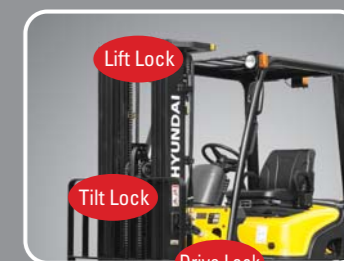
Wet disc brake system

The wet disc brake system is virtually maintenance free and is enclosed to protect from dust and water.



Fully hydrostatic power steering

A hydraulic steering system always guarantees smooth and flexible steering, preventing overrun and kick-back.



OPSS (Operator Presence Sensing System)

Control of mast tilting, lifting and lowering is not possible through operation of the appropriate control when the operator is not in the normal position. (Option)

Comfortable Operation



Adjustable steering wheel

Steering wheel with horn button can be adjusted by a lever on the right-hand side for the most comfortable operator position.



Easy and safe shift lever

A single lever on the left side of the steering column gives the operator fast, easy control of direction.



Multi-function switch lever

Multi-functional switch lever gives easy access to lights and horn.



Quick response of operating control levers

Only minimal operator's effort is required for precise, safe and productive control.



Some of the photos may include optional equipment.

Ergonomically designed with the operator in mind!

A design based on human engineering relieves fatigue and increase operator's efficiency.



Ergonomically positioned pedals

Based on human engineering, the accelerator, brake and inching pedals are optimally positioned for convenience while operating the equipment.



Cup holder & console box

Additional storage spaces are located inside the operating space for operator's convenience.



New high visibility for safe operation

The operator is able to work with increased safety and accuracy due to a wider view mast.

Operator friendly gauges and water-resistant monitor panel



- | | |
|---|---------------------------|
| ① Parking brake lamp | ⑨ Water separator lamp |
| ② Directional indicators | ⑩ Pre-heater indicator |
| ③ Fuel warning lamp | ⑪ Water temperature gauge |
| ④ Engine oil warning lamp | ⑫ Fuel gauge |
| ⑤ Transmission oil temperature warning lamp | ⑬ Hour meter |
| ⑥ Battery charging warning lamp | ⑭ Engine check lamp |
| ⑦ Air cleaner filter warning light | ⑮ Seat belt warning |
| ⑧ Working light indicator | ⑯ OPS warning |

Easily adjustable suspension seat

An attractive and adjustable seat, based on a human engineering design, provides great comfort, safety and durability.



Full floating overhead guard mount

The anti-vibration rubber is installed between the guard and truck frame to reduce the source of vibration and noise while driving. This not only reduces operator's fatigue but also increases safety.



Endurance & Safety

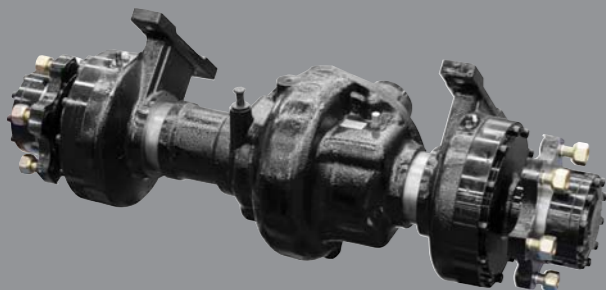
Strong overhead guard

The safety overhead guard exceeds EEC and ANSI regulations and protects the operator during hazardous jobs.



Parking brake

Ratchet type parking brake requires less efforts from the operator to set.



Highly durable split type drive axle

Powershift transmission provides fast travel speed and quiet travel under any heavy load condition, and boosts work efficiency.

Enhanced safety through high durability!

Safety and durability are priorities in the design of the equipment.



Some of the photos may include optional equipment.

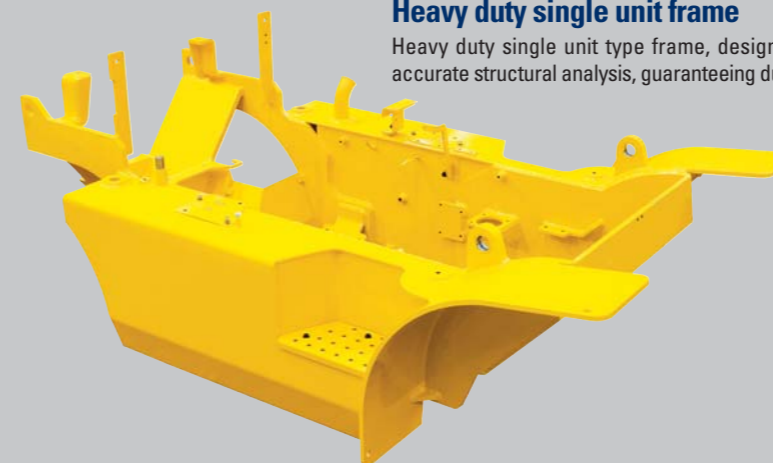


Large footboard & hand grip

Wide "open" step offers convenience and safety when entering and exiting truck.

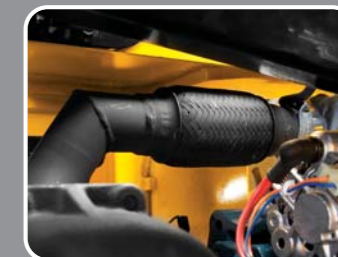
Heavy duty single unit frame

Heavy duty single unit type frame, designed on the basis of accurate structural analysis, guaranteeing durability and safety.



Easy access of electrical Components

Various electric parts are centralized in dash board resulting in improvement in maintenance



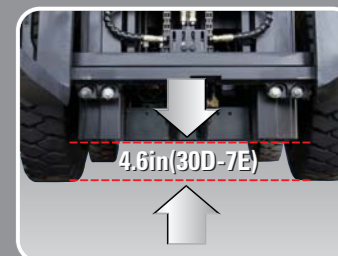
Expansion bellows

The expansion bellows absorbs vibration and reduces noise generated from the exhaust gas system and also extends the life cycle of exhaust gas system.



Bright, protected headlights

Bright, protected headlights is positioned for exceptional visibility.



Ground clearance

The engine and transmission are assembled horizontally and positioned high in the frame to protect expansive components during operation on rugged surface.

